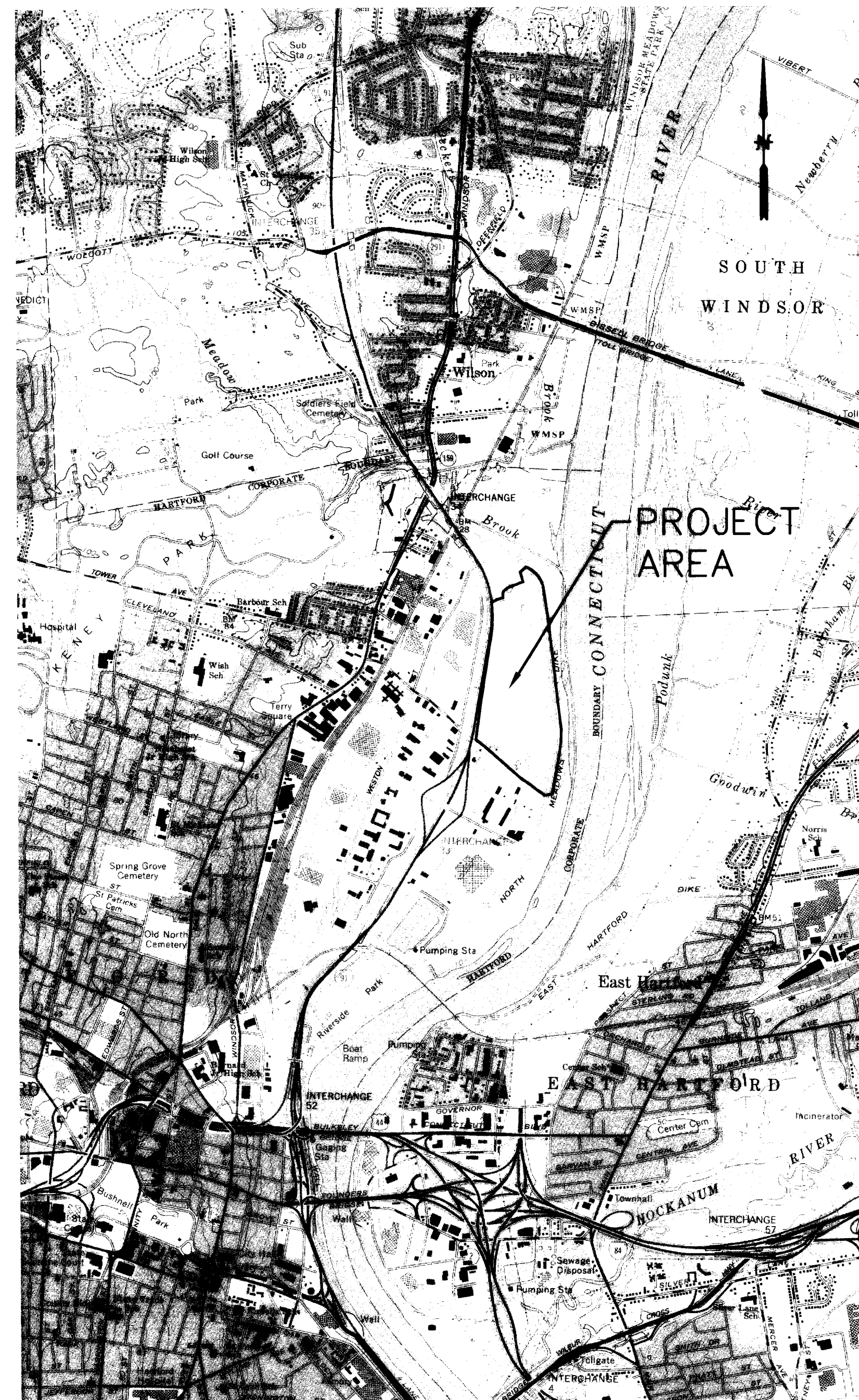


CONNECTICUT RESOURCES RECOVERY AUTHORITY

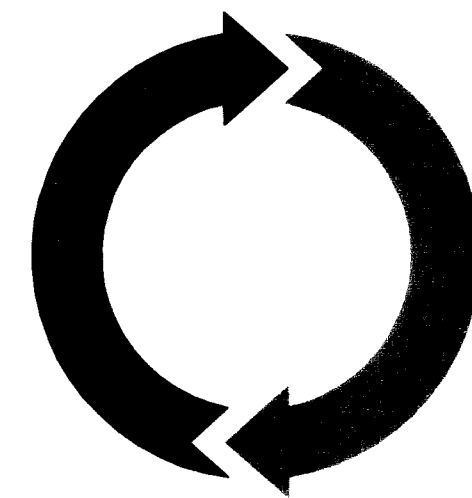
HARTFORD LANDFILL CLOSURE MSW/INTERIM ASH DISPOSAL AREA LEIBERT ROAD HARTFORD, CT

SHEET INDEX



LOCATION MAP SCALE:
1"=2000'

JUNE 2007
(COVER SHEET REVISED - JUNE 15, 2007)



**CONNECTICUT
RESOURCES
RECOVERY
AUTHORITY**

SHEET NO.	TITLE
GI-101	GENERAL NOTES
VF-101 TO VF-102	EXISTING CONDITIONS PLAN
CI-101	PHASING AND ACCESS PLAN
CP-101	ACCESS ROAD PLAN
CU-101	FORCE MAIN RELOCATION PLAN
CU-102 TO CU-103	ELECTRICAL RELOCATION PLAN
CG-101 TO CG-104	SUBGRADE PLANS
CG-111 TO CG-114	FINAL GRADING PLANS
CE-101 TO CE-104	EROSION CONTROL PLANS
CI-501 TO CI-503	COVER SYSTEM AND SITE DETAILS
CP-501	ACCESS ROAD DETAILS
CU-501	FORCE MAIN RELOCATION DETAILS
CU-502	ELECTRICAL DETAILS
CI-511 TO CI-513	DRAINAGE DETAILS
CE-501 TO CE-502	EROSION CONTROL DETAILS

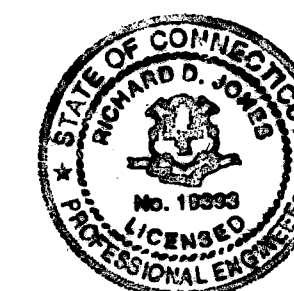
PREPARED BY:

WWW.FOND.COM



FUSS & O'NEILL
Discipline to Deliver

146 HARTFORD RD MANCHESTER, CT 06040 860.646.2469

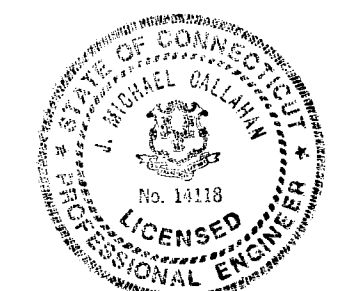


Richard D. Jones
RICHARD D. JONES, P.E.

CT P.E. LICENSE No. 19393

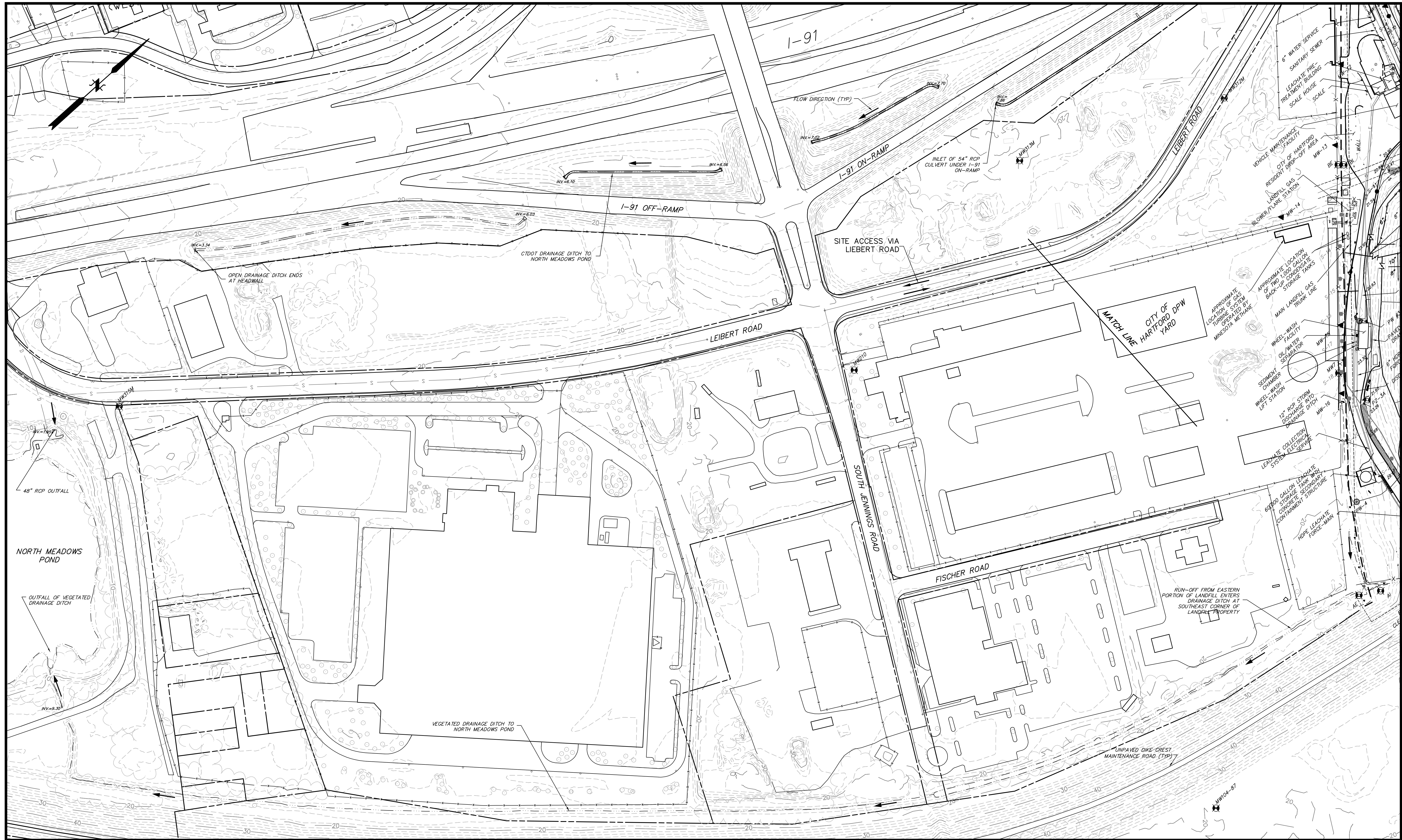
J. Michael Callahan

J. MICHAEL CALLAHAN, P.E.
(ELECTRICAL DESIGN)



CT P.E. LICENSE No. 14118

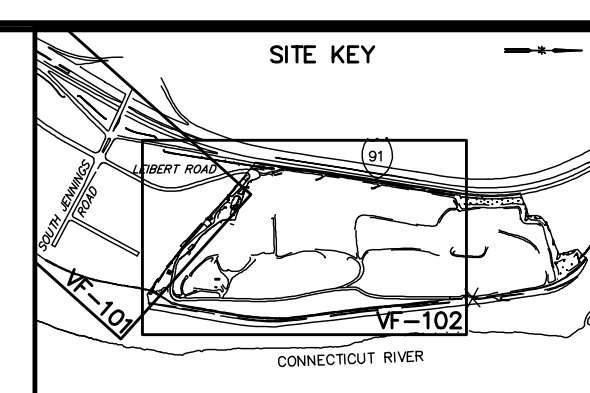
LGS: ROT42 | MS VIEW: MS100/ROT48 | LMAN: BASE MAP | CTB: FO_STANDARD | File Path: J:\DWG\2004\0174\12\Plan\04017412.dwg, 11:58 AM, User: Donald



No.	DATE	DESCRIPTION	BY
1.			

PROJ. MANAGER:	CML
CHIEF DESIGNER:	DRL
REVIEWED BY:	DATE

SEAL	SEAL
------	------



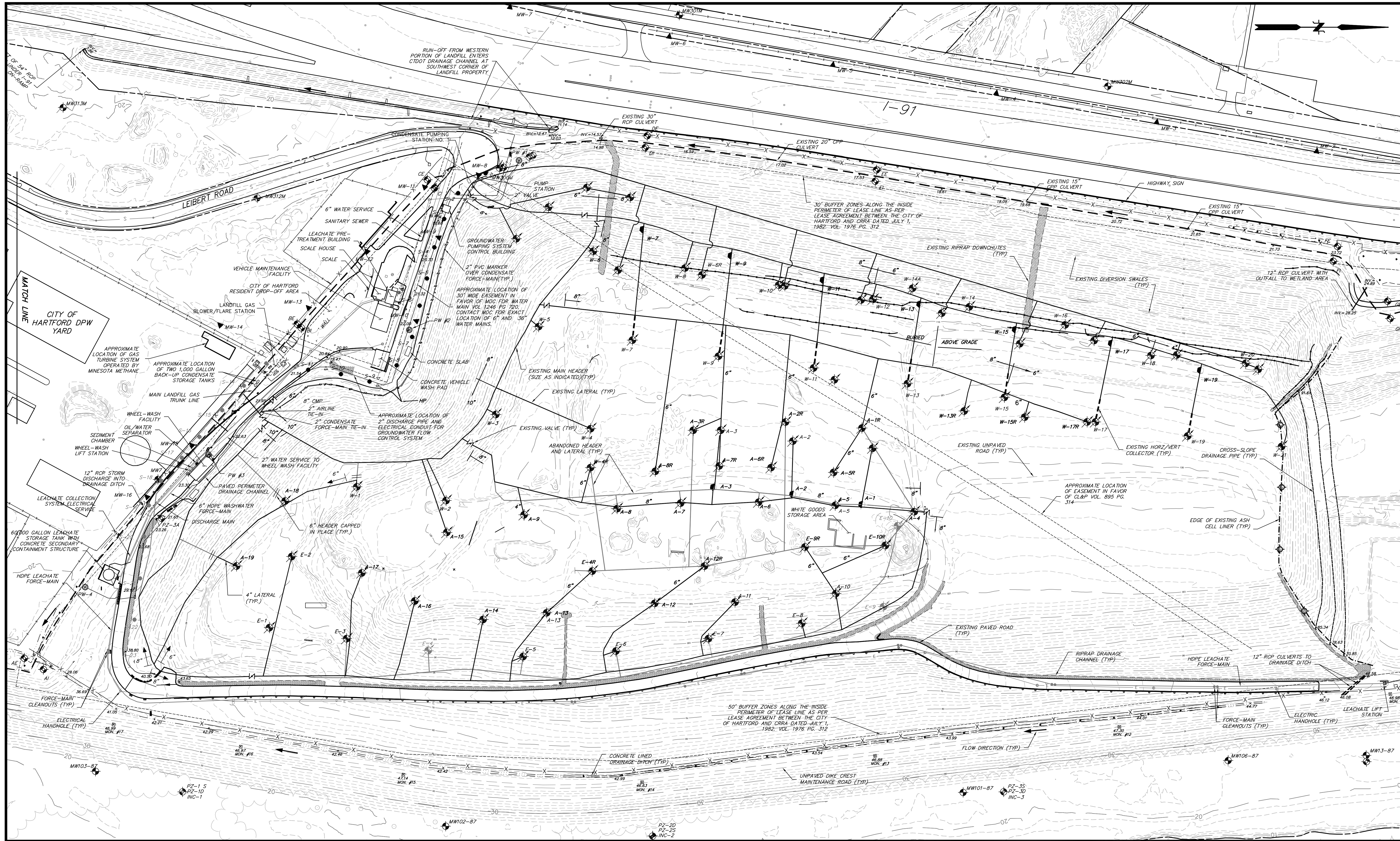
SCALE:	HORIZ.: 1" = 100'
	VERT.:
DATUM:	HORIZ.: NAD 27
	VERT.: NGVD 29
GRAPHIC SCALE	


FUSS & O'NEILL
Disciplines to Deliver
 146 HARTFORD RD MANCHESTER, CT 06040 860.646.2469

WWW.FAND0.COM
 CONNECTICUT RESOURCES RECOVERY AUTHORITY
 EXISTING CONDITIONS PLAN
 HARTFORD LANDFILL CLOSURE
 MSW/INTERIM ASH DISPOSAL AREA
 HARTFORD CONNECTICUT

PROJ. No.: 04-0174.H12
 DATE: JUNE 2007
VF-101

File Path: J:\DWG\20040174\12\Plan040174H12\STP01.DWG, Layout: VF-102 Tue, May 29, 2007 - 11:59 AM User: Donald
 LMAN: 100_SCALE_STP CTB: FO_STANDARD
 LGS: ROT190 IMS VIEW: MS100

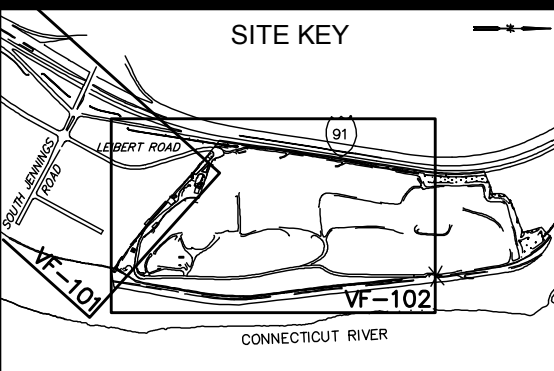


No.	DATE	DESCRIPTION	BY
1.			
REVISIONS			

PROJ. MANAGER:	CML
CHIEF DESIGNER:	DRL
REVIEWED BY:	DATE

SEAL	SEAL
------	------

--	--



SCALE:	HORIZ.: 1" = 100'
	VERT.:
DATUM:	HORIZ.: NAD 27
	VERT.: NGVD 29

FUSS & O'NEILL
Disciplines to Deliver
 146 HARTFORD RD MANCHESTER, CT 06040 860.646.2469

CONNECTICUT RESOURCES RECOVERY AUTHORITY
EXISTING CONDITIONS PLAN
 HARTFORD LANDFILL CLOSURE
 MSW/INTERIM ASH DISPOSAL AREA
 HARTFORD CONNECTICUT

PROJ. No.: 04-0174.H12
 DATE: JUNE 2007
VF-102

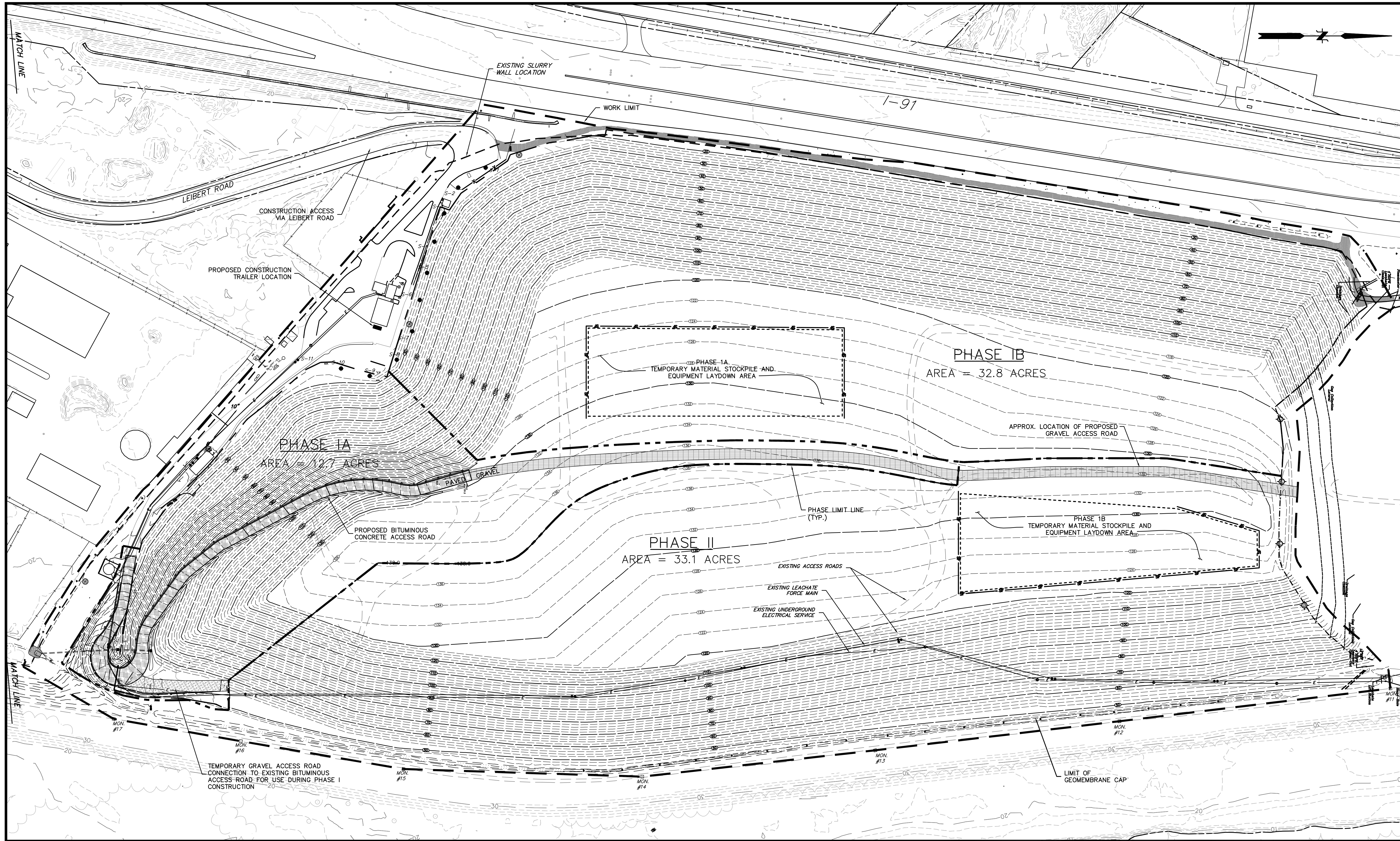
File Path: J:\DWG\2004\0174\H12\Plan\040174H12STP101.dwg, Layout: CI-101, Tue, May 29, 2007, 1:30 PM, User: Donald

CTB: F0_STANDARD

LMAN: PHASING

MS VIEW: MS100

LCS: ROT90

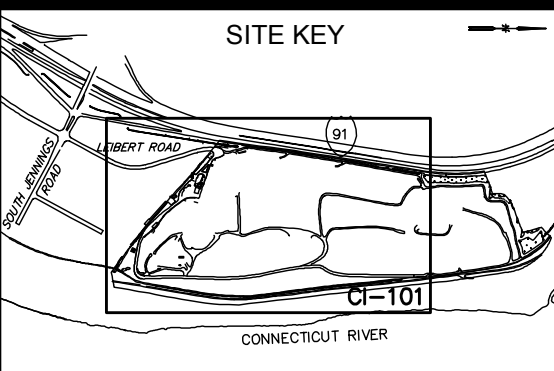


No.	DATE	DESCRIPTION	BY
1.			

PROJ. MANAGER:	CML
CHIEF DESIGNER:	DRL
REVIEWED BY:	DATE

SEAL	SEAL
------	------

--	--



SCALE:	HORZ.: 1" = 100'
	VERT.:
DATUM:	HORZ.: NAD 27
	VERT.: NGVD 29
GRAPHIC SCALE	

WWW.FAND0.COM

FUSS & O'NEILL
Disciplines to Deliver

146 HARTFORD RD MANCHESTER, CT 06040 860.646.2469

CONNECTICUT RESOURCES RECOVERY AUTHORITY

PHASING AND ACCESS PLAN

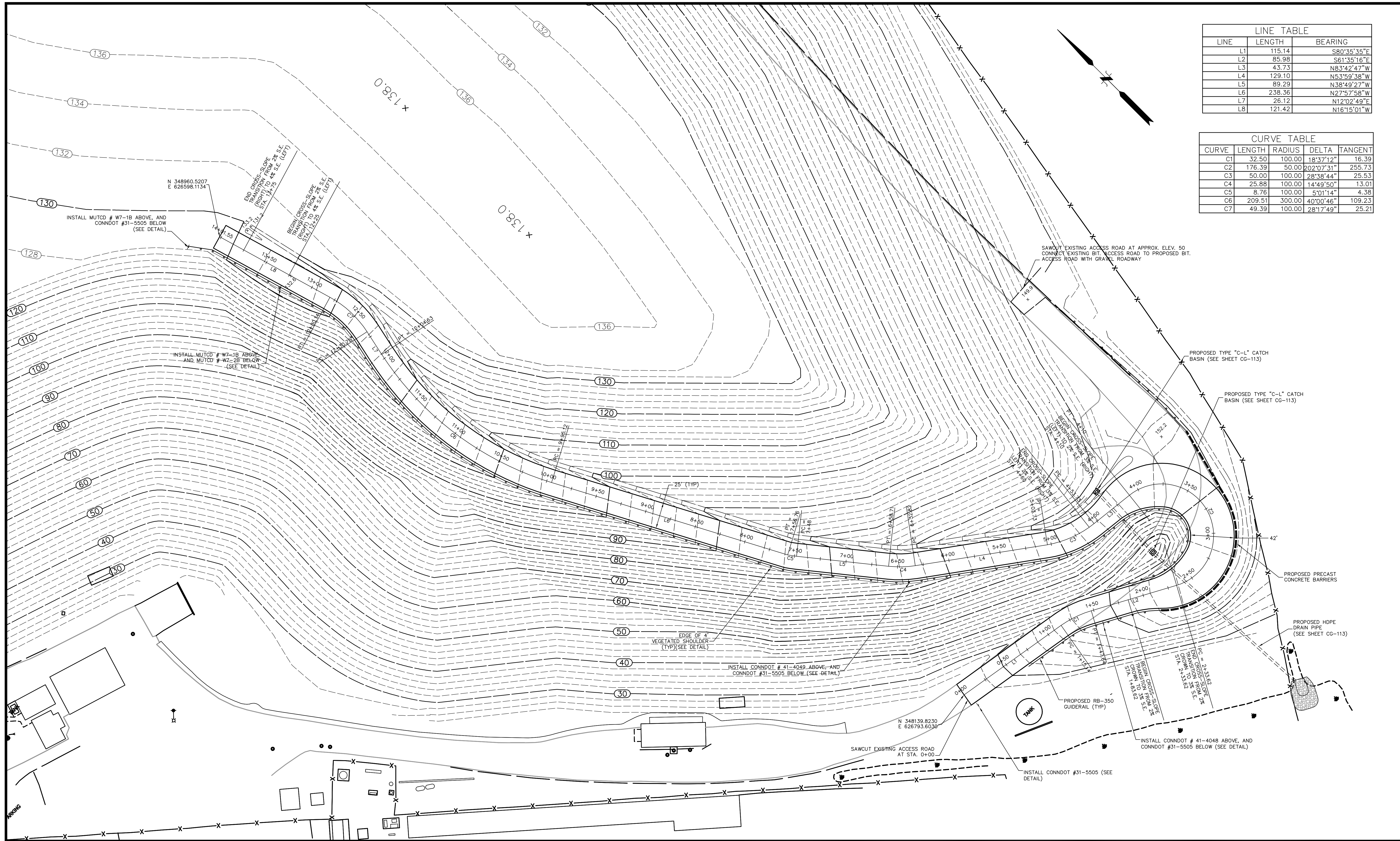
HARTFORD LANDFILL CLOSURE
MSW/INTERIM ASH DISPOSAL AREA

HARTFORD CONNECTICUT

PROJ. No.: 04-0174.H12
DATE: JUNE 2007

CI-101

File Path: J:\DWG\VP20040174\H12\Plan20040174H12.dwg, Layout: CP-101, Tue, May 29, 2007, 1:35 PM, User: Donald
 L:\MAN: ACCESS ROAD PLAN
 CTB: FO_STANDARD
 LMS VIEW: INS40
 LGS: ROT-45

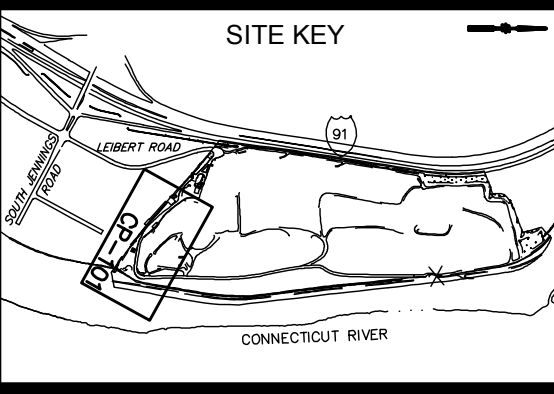
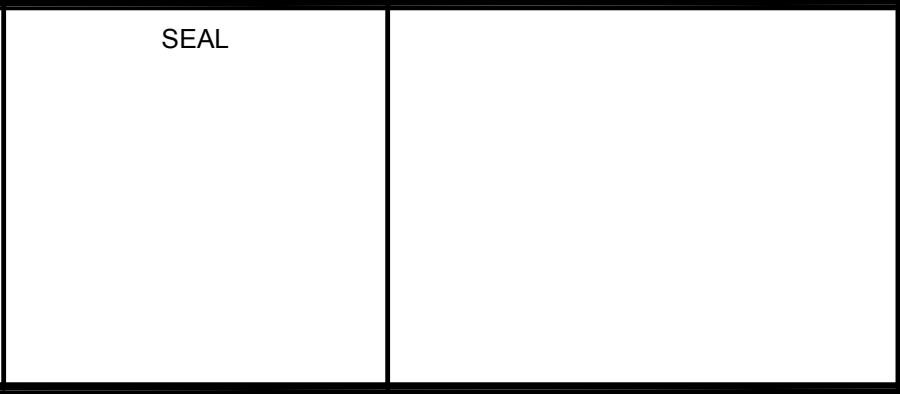


LINE TABLE		
LINE	LENGTH	BEARING
L1	115.14	S80°35'35"E
L2	85.98	S61°35'16"E
L3	43.73	N83°42'47"W
L4	129.10	N53°59'38"W
L5	89.29	N38°49'27"W
L6	238.36	N27°57'58"W
L7	26.12	N12°02'49"E
L8	121.42	N16°15'01"W

CURVE TABLE				
CURVE	LENGTH	RADIUS	DELTA	TANGENT
C1	32.50	100.00	18°37'12"	16.39
C2	176.39	50.00	202°07'31"	255.73
C3	50.00	100.00	28°38'44"	25.53
C4	25.88	100.00	14°49'50"	13.01
C5	8.76	100.00	5°01'14"	4.38
C6	209.51	300.00	40°00'46"	109.23
C7	49.39	100.00	28°17'49"	25.21

No.	DATE	DESCRIPTION	BY
1.			
REVISIONS			

PROJ. MANAGER:	CML	SEAL	
CHIEF DESIGNER:	DRL	SEAL	
REVIEWED BY:	RDJ		
	DATE		
	5/23/07		



SCALE: HORZ.: 1" = 40'
 VERT.:
 DATUM: HORZ.: NAD27
 VERT.: NGVD29
 GRAPHIC SCALE


FUSS & O'NEILL
Disciplines to Deliver
 146 HARTFORD RD MANCHESTER, CT 06040 860.646.2469

WWW.FAND0.COM
CONNECTICUT RESOURCES RECOVERY AUTHORITY
ACCESS ROAD PLAN
 HARTFORD LANDFILL CLOSURE
 MSW/INTERIM ASH DISPOSAL AREA
 HARTFORD CONNECTICUT

PROJ. No.: 2004-0174.H12
 DATE: JUNE 2007
CP-101

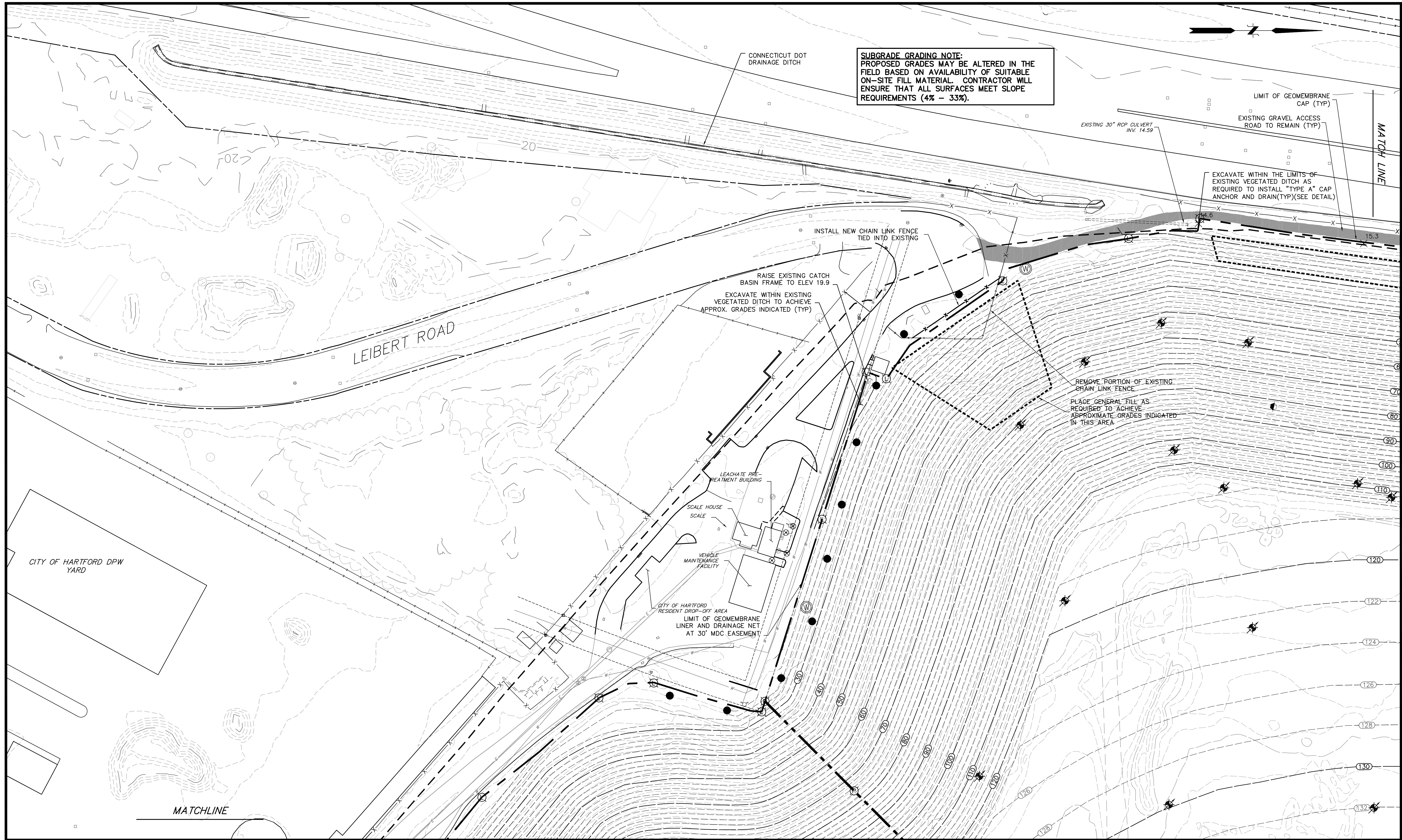
File Path: J:\DWG\20040174H12\Plan\040174H12STP202.DWG, Layout: CG-101, Thu, Aug 02, 2007, 7:44 AM, User: DonaldL

CTB: FGS STANDARD

LMAN: SUBGRADE

IMS VIEW: MS50(SW)

LCS: ROT90

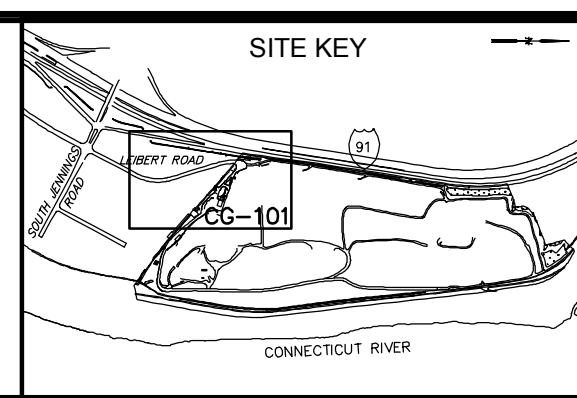


No.	DATE	DESCRIPTION	BY
1.	06/28/07	REVISED CONTOURS BASED ON ADDENDUM #4	DRL
REVISIONS			

PROJ. MANAGER:	CML
CHIEF DESIGNER:	DRL
REVIEWED BY:	DATE

SEAL	SEAL
------	------

--	--



SCALE:	HORIZ.: 1" = 50'
	VERT.: NGVD 29
DATUM:	HORIZ.: NAD 27
	VERT.: NGVD 29
GRAPHIC SCALE	

WWW.FAND0.COM

FUSS & O'NEILL
Disciplines to Deliver

146 HARTFORD RD MANCHESTER, CT 06040 860.646.2469

CONNECTICUT RESOURCES RECOVERY AUTHORITY
SUBGRADE PLAN
HARTFORD LANDFILL CLOSURE
MSW/INTERIM ASH DISPOSAL AREA
HARTFORD CONNECTICUT

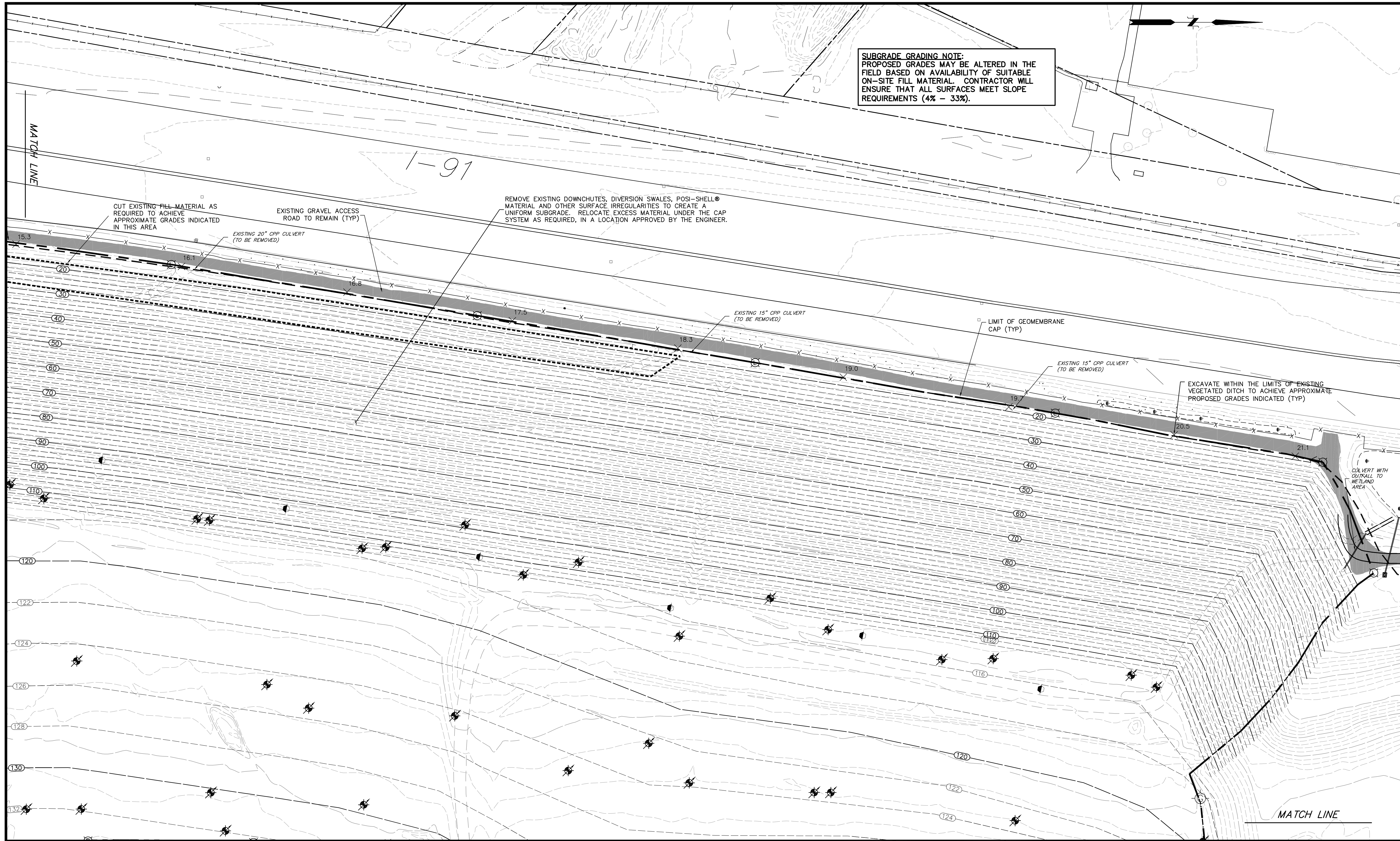
PROJ. No.: 04-0174.H12
DATE: JUNE 2007
CG-101

File Path: J:\DWG\2004\07\4H12\Plan\040174H12Plan040174H12TP202.DWG, Layout: CG-102, Thu, Aug 02, 2007, 7:44 AM User: DonaldL

CTB: FQ_STANDARD

MS VIEW: MS50(NW)

LCS: ROT90

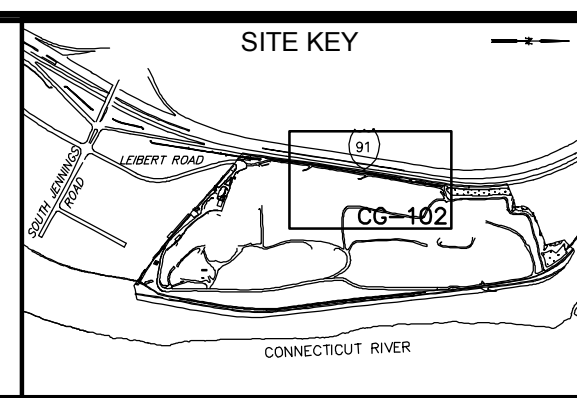


No.	DATE	DESCRIPTION	BY
1.	06/28/07	REVISED CONTOURS BASED ON ADDENDUM #4	DRL
REVISIONS			

PROJ. MANAGER:	CML
CHIEF DESIGNER:	DRL
REVIEWED BY:	DATE

SEAL	SEAL
------	------

--	--



SCALE:	HORZ.: 1" = 50'
	VERT.:
DATUM:	HORZ.: NAD 27
	VERT.: NGVD 29
GRAPHIC SCALE	

WWW.FAND0.COM

FUSS & O'NEILL
Disciplines to Deliver

146 HARTFORD RD MANCHESTER, CT 06040 860.646.2469

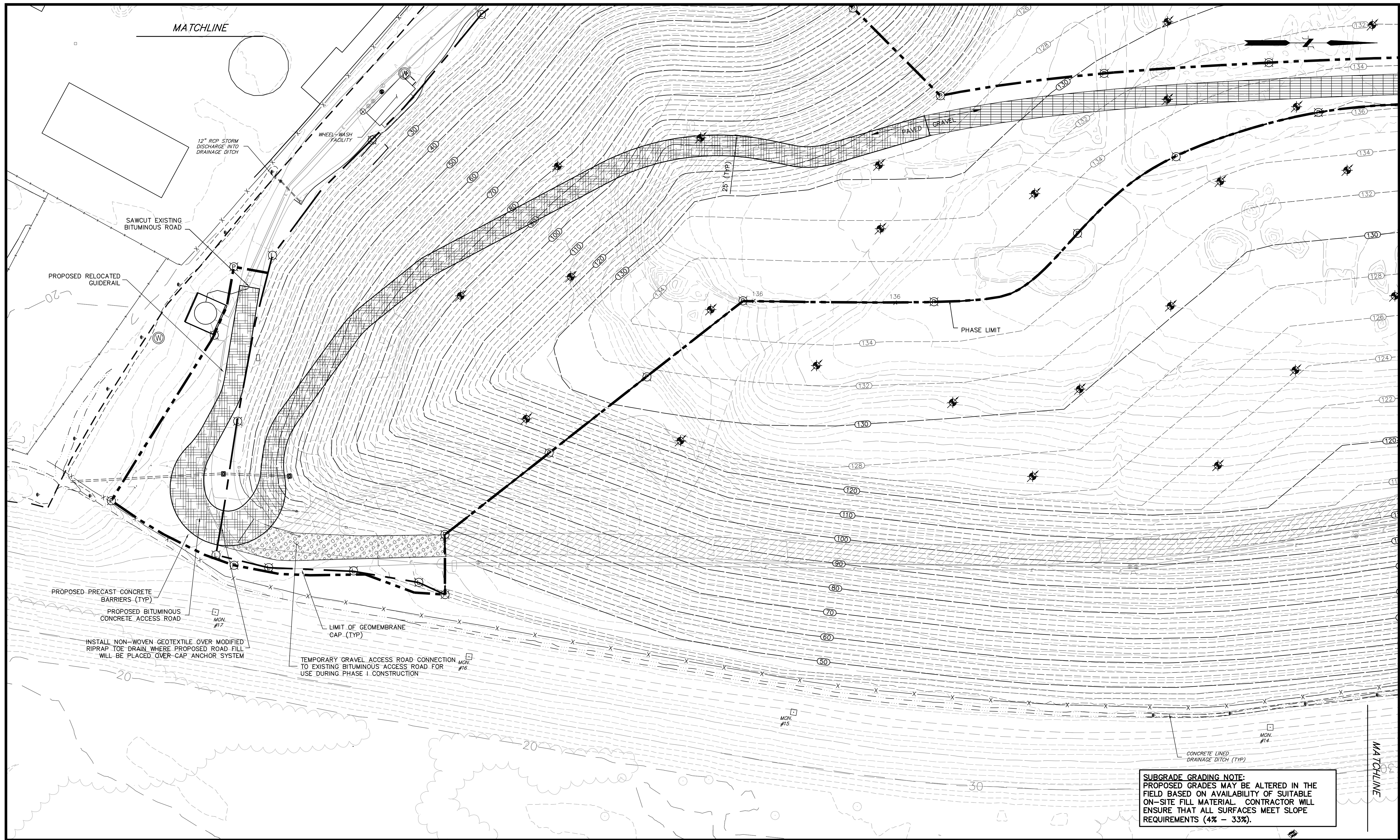
CONNECTICUT RESOURCES RECOVERY AUTHORITY
SUBGRADE PLAN
HARTFORD LANDFILL CLOSURE
MSW/INTERIM ASH DISPOSAL AREA
HARTFORD CONNECTICUT

PROJ. No.: 04-0174.H12
DATE: JUNE 2007
CG-102

File Path: J:\DWG\20040741H12\Plan\040741H12TP202.DWG, Layout: CG-103, Thu, Aug 02, 2007, 7:44 AM, User: DonaldL

CTB: FO_STANDARD

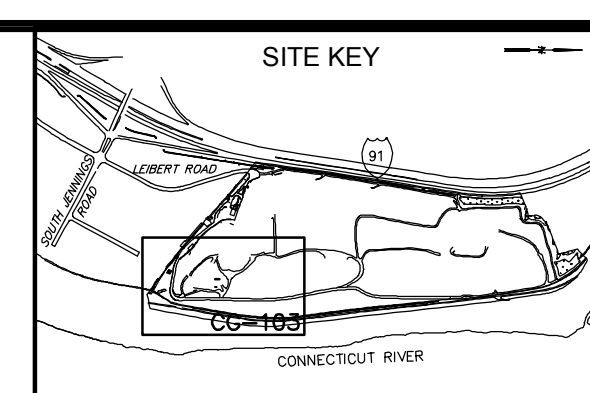
LCS: ROT90
LMAN: SUBGRADE
MS VIEW: MS50(5E)



SUBGRADE GRADING NOTE:
PROPOSED GRADES MAY BE ALTERED IN THE FIELD BASED ON AVAILABILITY OF SUITABLE ON-SITE FILL MATERIAL. CONTRACTOR WILL ENSURE THAT ALL SURFACES MEET SLOPE REQUIREMENTS (4% - 33%).

No.	DATE	DESCRIPTION	BY
1.	06/28/07	REVISED CONTOURS BASED ON ADDENDUM #4	DRL
REVISIONS			

PROJ. MANAGER:	CML	SEAL	SEAL
CHIEF DESIGNER:	DRL		
REVIEWED BY:	DATE		



SCALE:
HORZ.: 1" = 50'
VERT.:
DATUM:
HORZ.: NAD 27
VERT.: NGVD 29

WWW.FAND0.COM

FUSS & O'NEILL
Disciplines to Deliver

146 HARTFORD RD MANCHESTER, CT 06040 860.646.2469

CONNECTICUT RESOURCES RECOVERY AUTHORITY
SUBGRADE PLAN
HARTFORD LANDFILL CLOSURE
MSW/INTERIM ASH DISPOSAL AREA
HARTFORD CONNECTICUT

PROJ. No.: 04-0174.H12
DATE: JUNE 2007
CG-103

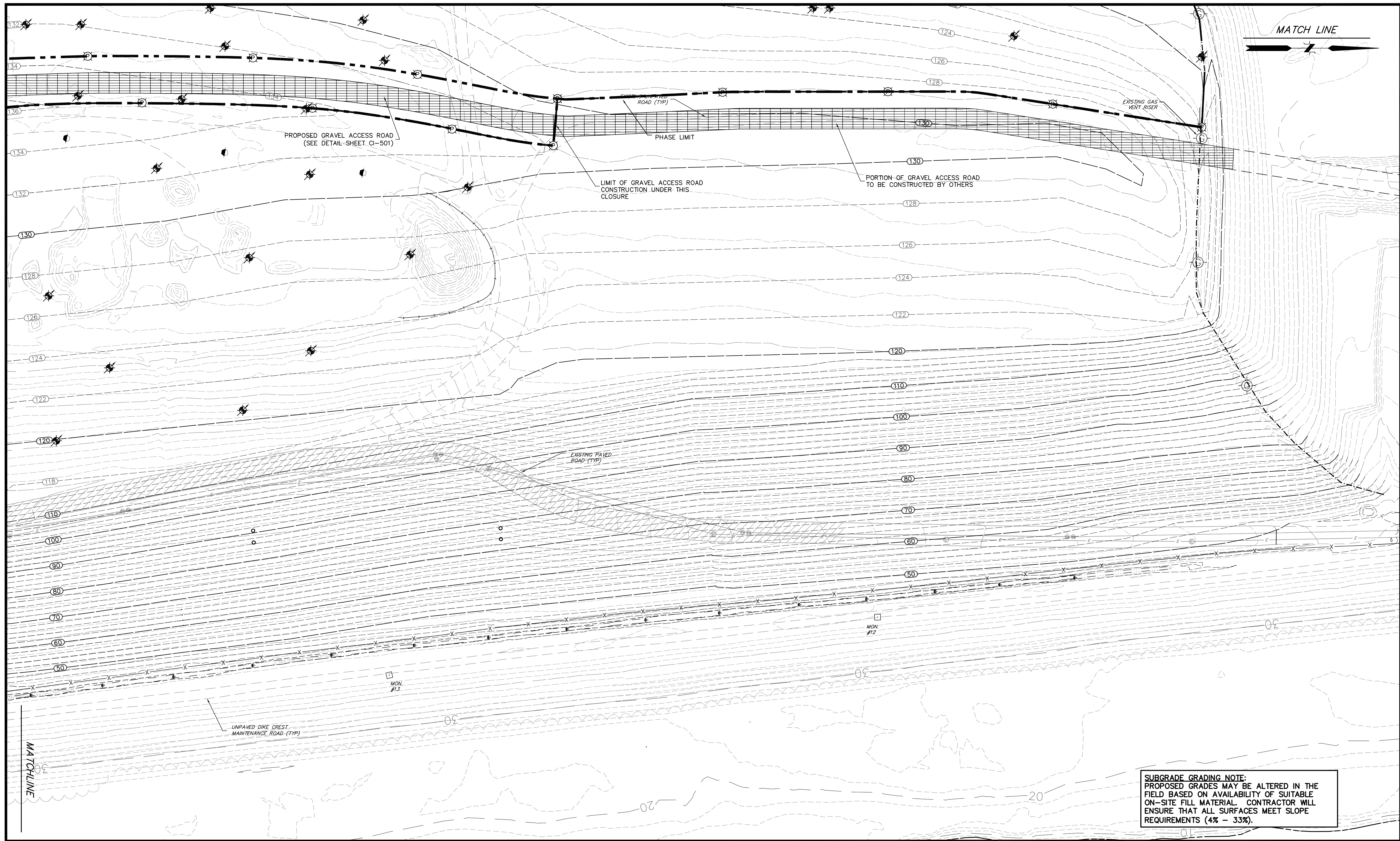
File Path: J:\DWG\2004074H12\Plan\04074H12TP202.DWG. Layout: CG-104. Thu, Aug 02, 2007, 7:45 AM. User: DonaldL

CTB: FQ_STANDARD

LMAN: SUBGRADE

LMS VIEW: MS50(NNE)

LCS: ROT90



SUBGRADE GRADING NOTE:
 PROPOSED GRADES MAY BE ALTERED IN THE FIELD BASED ON AVAILABILITY OF SUITABLE ON-SITE FILL MATERIAL. CONTRACTOR WILL ENSURE THAT ALL SURFACES MEET SLOPE REQUIREMENTS (4% - 33%).

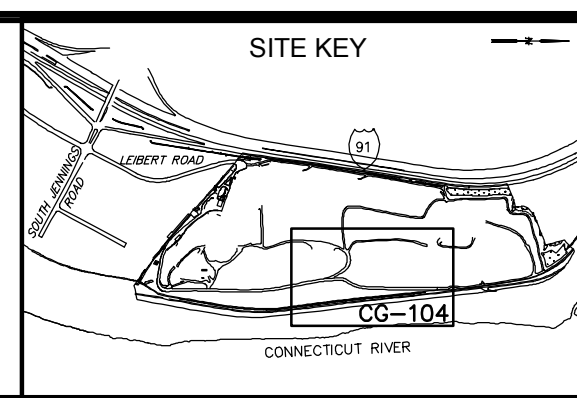
No.	DATE	DESCRIPTION	BY
1.	06/28/07	REVISED CONTOURS BASED ON ADDENDUM #4	DRL

PROJ. MANAGER:	CML
CHIEF DESIGNER:	DRL
REVIEWED BY:	DATE

SEAL	SEAL
------	------

--	--

--	--



SCALE:	HORZ.: 1" = 50'
	VERT.: 1" = 10'
DATUM:	HORZ.: NAD 27
	VERT.: NGVD 29

50 25 0 50
GRAPHIC SCALE

WWW.FAND0.COM

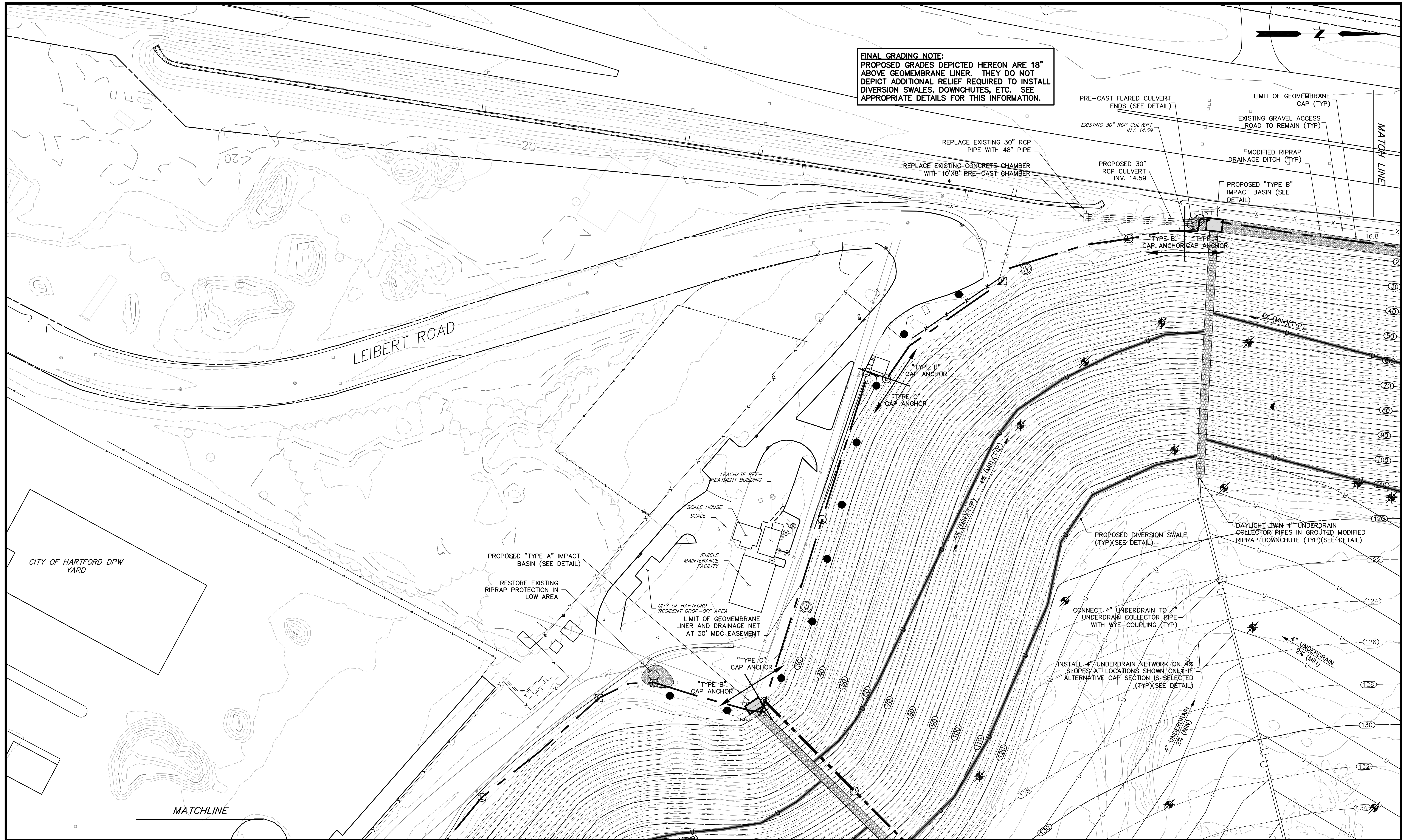
FUSS & O'NEILL
Disciplines to Deliver

146 HARTFORD RD MANCHESTER, CT 06040 860.646.2469

CONNECTICUT RESOURCES RECOVERY AUTHORITY
 SUBGRADE PLAN
 HARTFORD LANDFILL CLOSURE
 MSW/INTERIM ASH DISPOSAL AREA
 HARTFORD CONNECTICUT

PROJ. No.: 04-0174.H12
 DATE: JUNE 2007
CG-104

File Path: J:\DWG\2004074H12\Plan\04074H12STP202.DWG, Layout: CG-111, Wed, May 30, 2007, 2:19 PM, User: Donald
 CTB: FO_STANDARD
 LMAN: FINAL
 MS VIEW: MS50(SW)
 LGS: ROT90

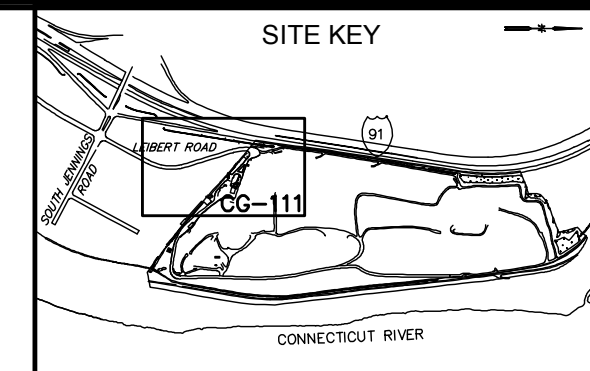


FINAL GRADING NOTE:
 PROPOSED GRADES DEPICTED HEREON ARE 18" ABOVE GEOMEMBRANE LINER. THEY DO NOT DEPICT ADDITIONAL RELIEF REQUIRED TO INSTALL DIVERSION SWALES, DOWNCHUTES, ETC. SEE APPROPRIATE DETAILS FOR THIS INFORMATION.

No.	DATE	DESCRIPTION	BY
1.			

PROJ. MANAGER:	CML
CHIEF DESIGNER:	DRL
REVIEWED BY:	DATE

SEAL	SEAL	
------	------	--



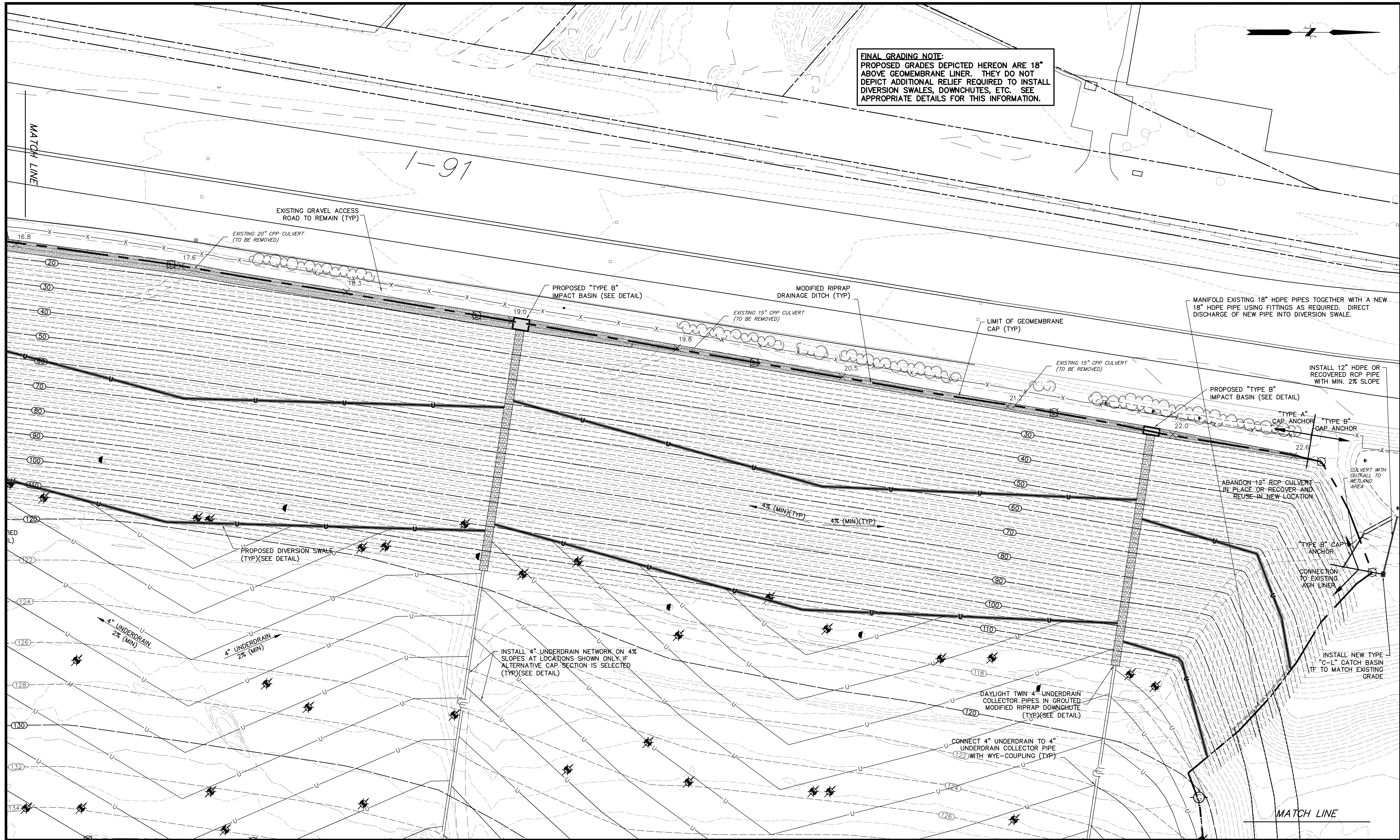
SCALE:	HORIZ.: 1" = 50'
	VERT.: NGVD 29
DATUM:	HORIZ.: NAD 27
	VERT.: NGVD 29


FUSS & O'NEILL
Disciplines to Deliver
 146 HARTFORD RD MANCHESTER, CT 06040 860.646.2469

CONNECTICUT RESOURCES RECOVERY AUTHORITY
FINAL GRADING PLAN
 HARTFORD LANDFILL CLOSURE
 MSW/INTERIM ASH DISPOSAL AREA
 HARTFORD CONNECTICUT

PROJ. No.: 04-0174.H12
 DATE: JUNE 2007
CG-111

File Path: J:\DWG\2004074H12\Plan\04074H12STP202.DWG, Layout: CG-112, Wed, May 30, 2007, 2:20 PM, User: Donald
 CTB: FO_STANDARD
 LMAN: FINAL
 MS VIEW: MS50(NW)
 LGS: ROT90



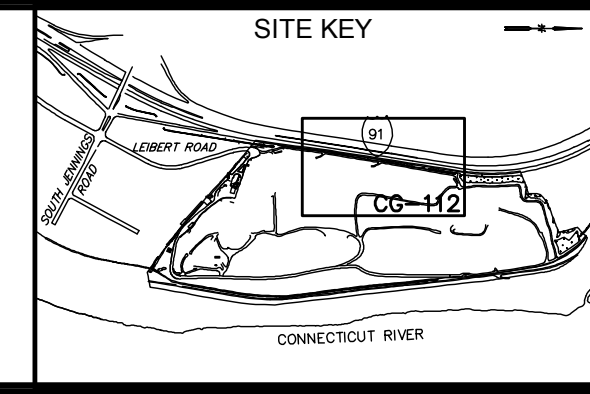
FINAL GRADING NOTE:
 PROPOSED GRADES DEPICTED HEREON ARE 18"
 ABOVE GEOMEMBRANE LINER. THEY DO NOT
 DEPICT ADDITIONAL RELIEF REQUIRED TO INSTALL
 DIVERSION SWALES, DOWNCHUTES, ETC. SEE
 APPROPRIATE DETAILS FOR THIS INFORMATION.

1-91

No.	DATE	DESCRIPTION	BY
1.			

PROJ. MANAGER:	CML
CHIEF DESIGNER:	DRL
REVIEWED BY:	DATE

SEAL	SEAL	
------	------	--



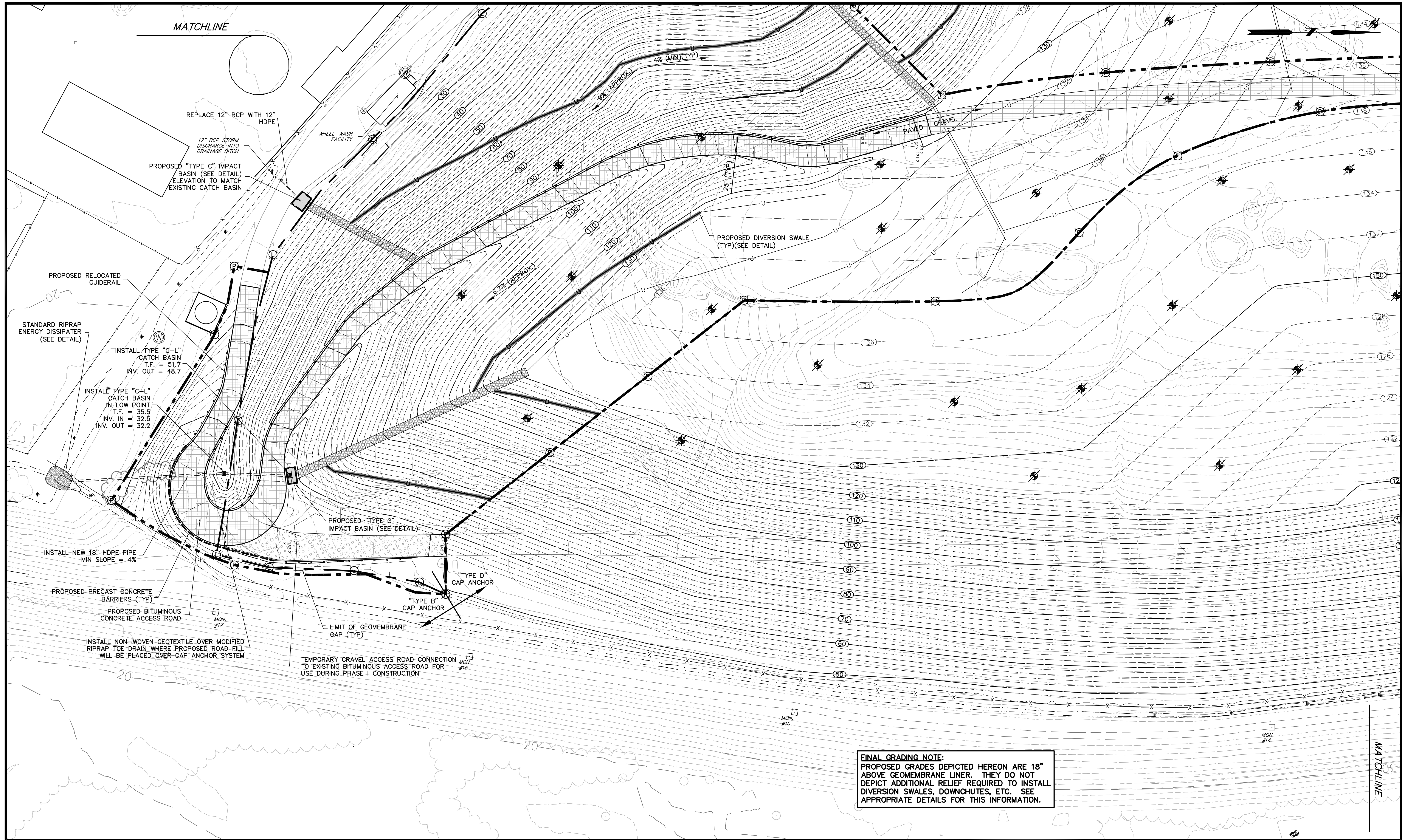
SCALE:	HORIZ.: 1" = 50'
	VERT.:
DATUM:	HORIZ.: NAD 27
	VERT.: NGVD 29


FUSS & O'NEILL
Disciplines to Deliver
 146 HARTFORD RD MANCHESTER, CT 06040 860.646.2469

CONNECTICUT RESOURCES RECOVERY AUTHORITY
 FINAL GRADING PLAN
 HARTFORD LANDFILL CLOSURE
 MSW/INTERIM ASH DISPOSAL AREA
 HARTFORD CONNECTICUT

PROJ. No.: 04-0174.H12
 DATE: JUNE 2007
CG-112

File Path: J:\DWG\2004074\H12\Plan\04074H12STP202.DWG, Layout: CG-113 Wed, May 30, 2007 - 2:20 PM User: Donald
 CTB: FO_STANDARD
 LMAN: FINAL
 MS VIEW: MS50(5E)
 LGS: ROT90



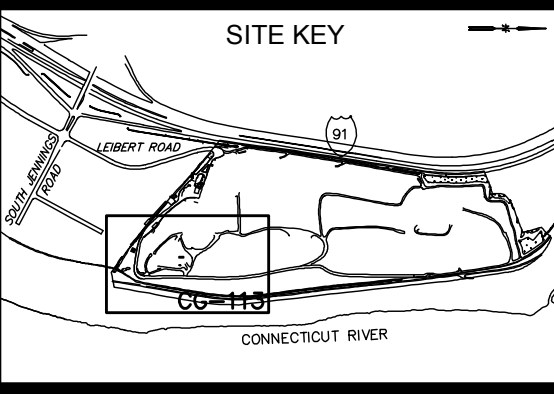
FINAL GRADING NOTE:
 PROPOSED GRADES DEPICTED HEREON ARE 18" ABOVE GEOMEMBRANE LINER. THEY DO NOT DEPICT ADDITIONAL RELIEF REQUIRED TO INSTALL DIVERSION SWALES, DOWNCHUTES, ETC. SEE APPROPRIATE DETAILS FOR THIS INFORMATION.

No.	DATE	DESCRIPTION	BY
1.			

PROJ. MANAGER:	CML
CHIEF DESIGNER:	DRL
REVIEWED BY:	DATE

SEAL	SEAL
------	------

--	--



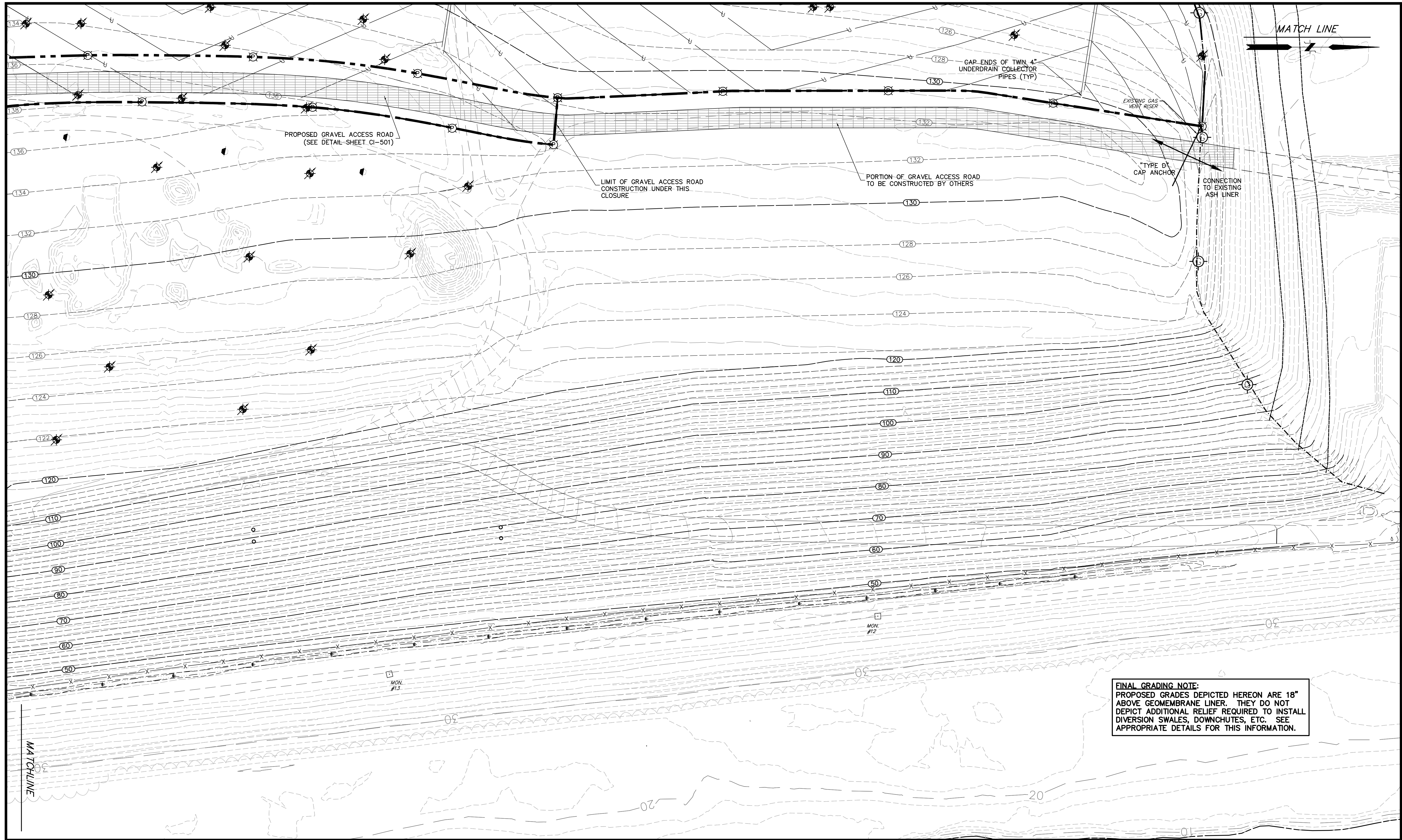
SCALE:	HORZ.: 1" = 50'
	VERT.: NGVD 29
DATUM:	HORZ.: NAD 27
	VERT.: NGVD 29

146 HARTFORD RD MANCHESTER, CT 06040 860.646.2469

CONNECTICUT RESOURCES RECOVERY AUTHORITY
 FINAL GRADING PLAN
 HARTFORD LANDFILL CLOSURE
 MSW/INTERIM ASH DISPOSAL AREA
 HARTFORD CONNECTICUT

PROJ. No.: 04-0174.H12
 DATE: JUNE 2007
CG-113

LUGS: ROT90 | MS VIEW: MS50(N/E) | LMAN: FINAL | CTB: FO_STANDARD | File Path: J:\DWG\2004\074H12\Plan\04074H12STP202.DWG, Layout: CG-114 Wed, May 30, 2007 - 2:21 PM User: Donald



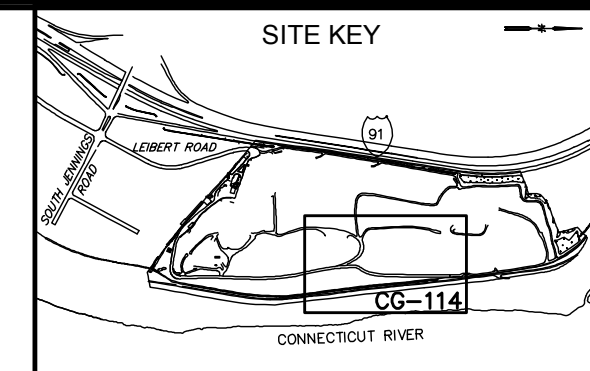
FINAL GRADING NOTE:
 PROPOSED GRADES DEPICTED HEREON ARE 18" ABOVE GEOMEMBRANE LINER. THEY DO NOT DEPICT ADDITIONAL RELIEF REQUIRED TO INSTALL DIVERSION SWALES, DOWNCHUTES, ETC. SEE APPROPRIATE DETAILS FOR THIS INFORMATION.

No.	DATE	DESCRIPTION	BY
1.			

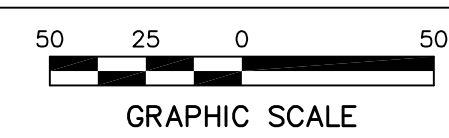
PROJ. MANAGER:	CML
CHIEF DESIGNER:	DRL
REVIEWED BY:	DATE

SEAL	SEAL
------	------

--	--



SCALE:	HORIZ.: 1" = 50'
	VERT.:
DATUM:	HORIZ.: NAD 27
	VERT.: NGVD 29

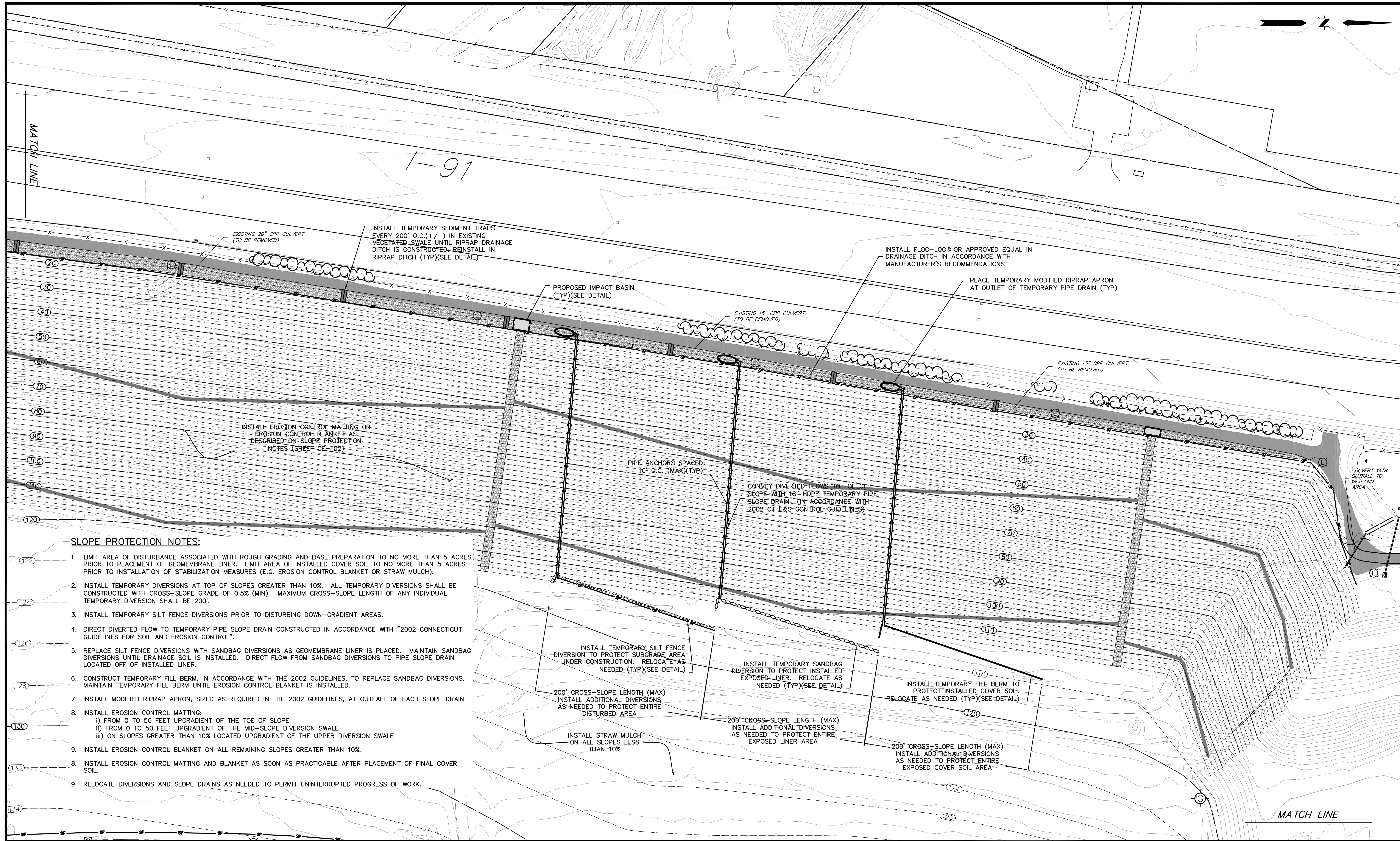



FUSS & O'NEILL
Disciplines to Deliver
 146 HARTFORD RD MANCHESTER, CT 06040 860.646.2469

CONNECTICUT RESOURCES RECOVERY AUTHORITY
FINAL GRADING PLAN
 HARTFORD LANDFILL CLOSURE
 MSW/INTERIM ASH DISPOSAL AREA
 HARTFORD CONNECTICUT

PROJ. No.: 04-0174.H12
 DATE: JUNE 2007
CG-114

File Path: J:\DWG\20040174H12\Plan\04074H12STP202.DWG, Layout: CE-102, Wed, May 30, 2007, 2:33 PM, User: Donald
 CTB: FO_STANDARD
 LMAN: E&S
 MS VIEW: MS50(NW)
 LGS: ROT90



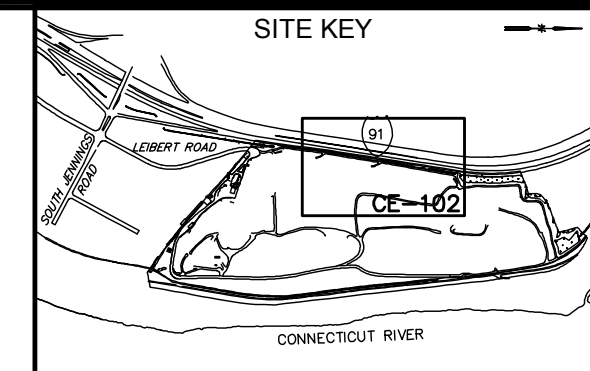
SLOPE PROTECTION NOTES:

1. LIMIT AREA OF DISTURBANCE ASSOCIATED WITH ROUGH GRADING AND BASE PREPARATION TO NO MORE THAN 5 ACRES PRIOR TO PLACEMENT OF GEOMEMBRANE LINER. LIMIT AREA OF INSTALLED COVER SOIL TO NO MORE THAN 5 ACRES PRIOR TO INSTALLATION OF STABILIZATION MEASURES (E.G. EROSION CONTROL BLANKET OR STRAW MULCH).
2. INSTALL TEMPORARY DIVERSIONS AT TOP OF SLOPES GREATER THAN 10%. ALL TEMPORARY DIVERSIONS SHALL BE CONSTRUCTED WITH CROSS-SLOPE GRADE OF 0.5% (MIN). MAXIMUM CROSS-SLOPE LENGTH OF ANY INDIVIDUAL TEMPORARY DIVERSION SHALL BE 200'.
3. INSTALL TEMPORARY SILT FENCE DIVERSIONS PRIOR TO DISTURBING DOWN-GRADIENT AREAS.
4. DIRECT DIVERTED FLOW TO TEMPORARY PIPE SLOPE DRAIN CONSTRUCTED IN ACCORDANCE WITH "2002 CONNECTICUT GUIDELINES FOR SOIL AND EROSION CONTROL".
5. REPLACE SILT FENCE DIVERSIONS WITH SANDBAG DIVERSIONS AS GEOMEMBRANE LINER IS PLACED. MAINTAIN SANDBAG DIVERSIONS UNTIL DRAINAGE SOIL IS INSTALLED. DIRECT FLOW FROM SANDBAG DIVERSIONS TO PIPE SLOPE DRAIN LOCATED OFF OF INSTALLED LINER.
6. CONSTRUCT TEMPORARY FILL BERM, IN ACCORDANCE WITH THE 2002 GUIDELINES, TO REPLACE SANDBAG DIVERSIONS. MAINTAIN TEMPORARY FILL BERM UNTIL EROSION CONTROL BLANKET IS INSTALLED.
7. INSTALL MODIFIED RIPRAP APRON, SIZED AS REQUIRED IN THE 2002 GUIDELINES, AT OUTFALL OF EACH SLOPE DRAIN.
8. INSTALL EROSION CONTROL MATTING:
 - i) FROM 0 TO 50 FEET UPGRADIENT OF THE TOE OF SLOPE
 - ii) FROM 0 TO 50 FEET UPGRADIENT OF THE MID-SLOPE DIVERSION SWALE
 - iii) ON SLOPES GREATER THAN 10% LOCATED UPGRADIENT OF THE UPPER DIVERSION SWALE
9. INSTALL EROSION CONTROL BLANKET ON ALL REMAINING SLOPES GREATER THAN 10%.
8. INSTALL EROSION CONTROL MATTING AND BLANKET AS SOON AS PRACTICABLE AFTER PLACEMENT OF FINAL COVER SOIL.
9. RELOCATE DIVERSIONS AND SLOPE DRAINS AS NEEDED TO PERMIT UNINTERRUPTED PROGRESS OF WORK.

No.	DATE	DESCRIPTION	BY

PROJ. MANAGER:	CML
CHIEF DESIGNER:	DRL
REVIEWED BY:	DATE

SEAL	
SEAL	



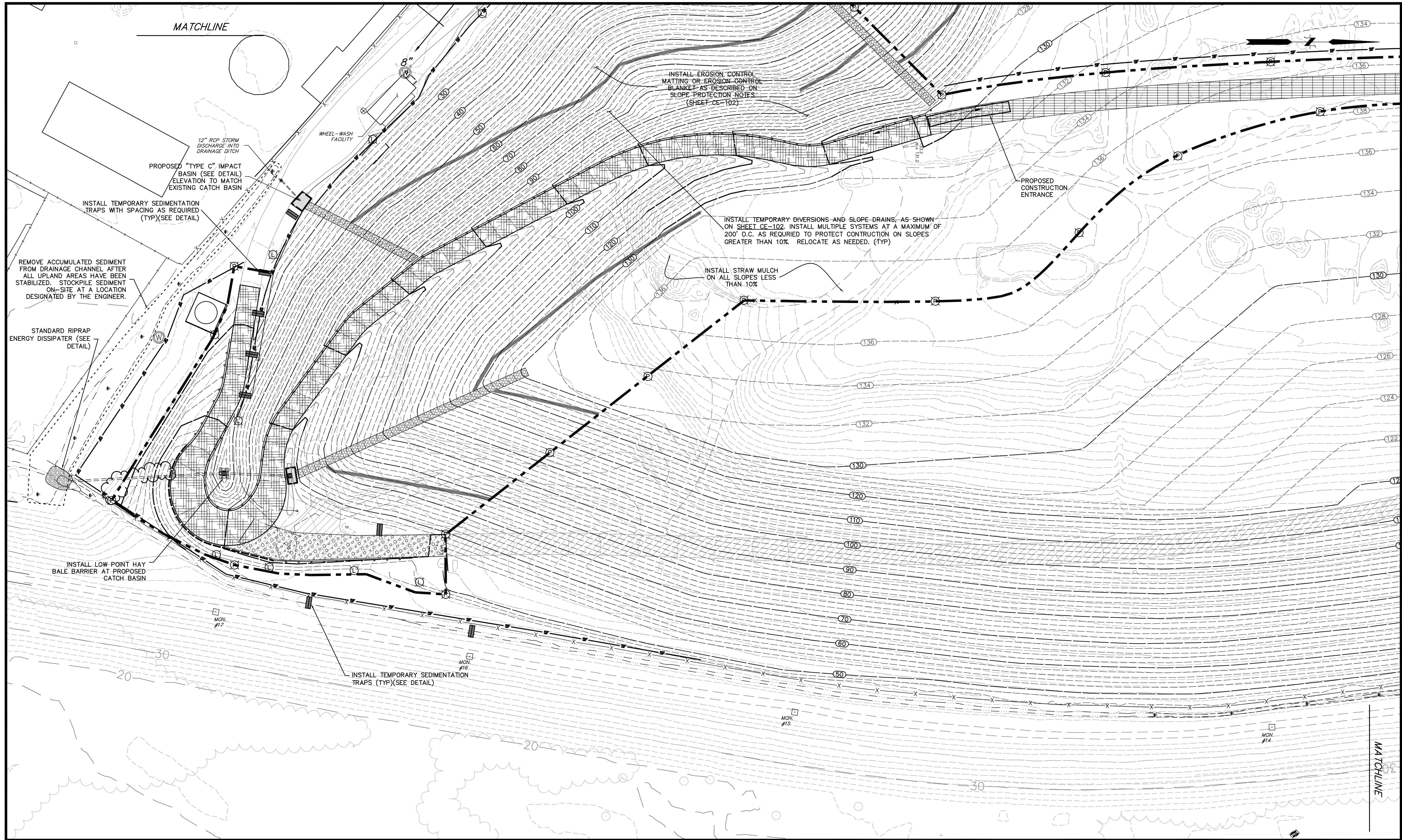
SCALE:	HORIZ.: 1" = 50'
	VERT.:
DATUM:	HORIZ.: NAD 27
	VERT.: NGVD 29


FUSS & O'NEILL
Disciplines to Deliver
 146 HARTFORD RD MANCHESTER, CT 06040 860.646.2469

CONNECTICUT RESOURCES RECOVERY AUTHORITY
EROSION CONTROL PLAN
 HARTFORD LANDFILL CLOSURE
 MSW/INTERIM ASH DISPOSAL AREA
 HARTFORD CONNECTICUT

PROJ. No.: 04-0174.H12
 DATE: JUNE 2007
CE-102

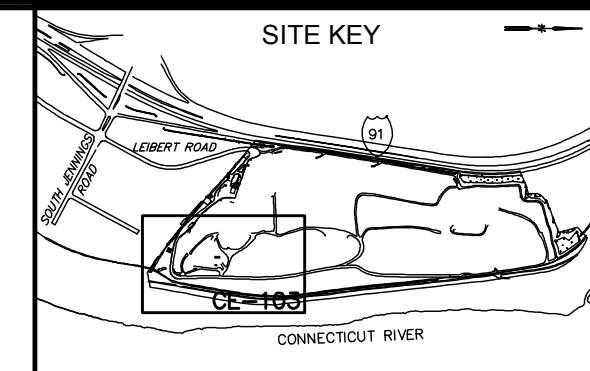
File Path: J:\DWG\20040174\H12\Plan\040174H12STP202.DWG, Layout: CE-103, Wed, May 30, 2007 - 2:34 PM, User: Donald.
 LGS: ROT90
 MS VIEW: MS50(SE)
 LMAN: E&SC
 CTB: FO_STANDARD



No.	DATE	DESCRIPTION	BY
1.			

PROJ. MANAGER:	CML
CHIEF DESIGNER:	DRL
REVIEWED BY:	DATE

SEAL	SEAL	
------	------	--



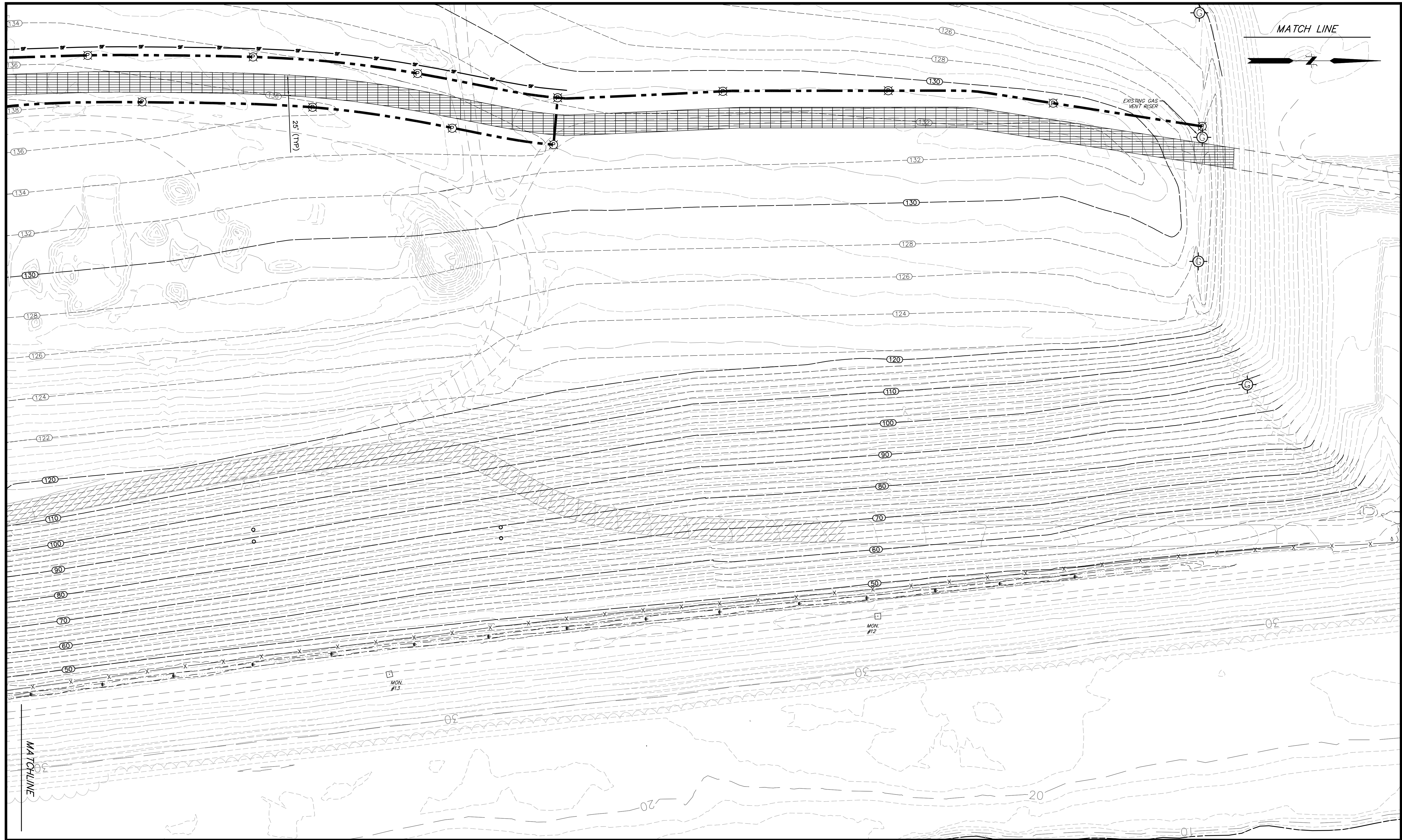
SCALE:	HORIZ.: 1" = 50'
	VERT.:
DATUM:	HORIZ.: NAD 27
	VERT.: NGVD 29

FUSS & O'NEILL
Disciplines to Deliver
 146 HARTFORD RD MANCHESTER, CT 06040 860.646.2469
 WWW.FAND0.COM

CONNECTICUT RESOURCES RECOVERY AUTHORITY
EROSION CONTROL PLAN
 HARTFORD LANDFILL CLOSURE
 MSW/INTERIM ASH DISPOSAL AREA
 HARTFORD CONNECTICUT

PROJ. No.: 04-0174.H12
 DATE: JUNE 2007
CE-103

LUGS: ROT190 | MS VIEW: MS50(N/E) | LMAN: E&SC | CTB: FO_STANDARD | File Path: J:\DWG\2004\074H12\Plan\04074H12STP202.DWG, Layout: CE-104 Wed, May 30, 2007 - 2:44 PM User: Donald

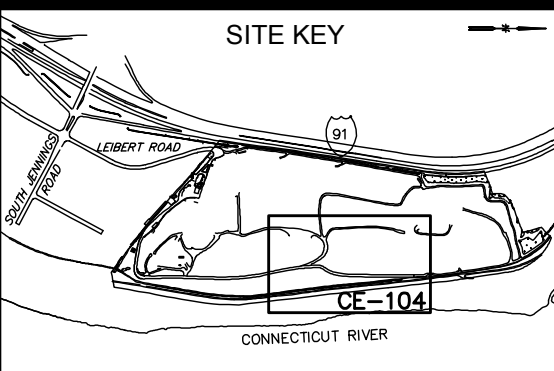


No.	DATE	DESCRIPTION	BY
1.			

PROJ. MANAGER:	CML
CHIEF DESIGNER:	DRL
REVIEWED BY:	DATE

SEAL	SEAL
------	------

--	--

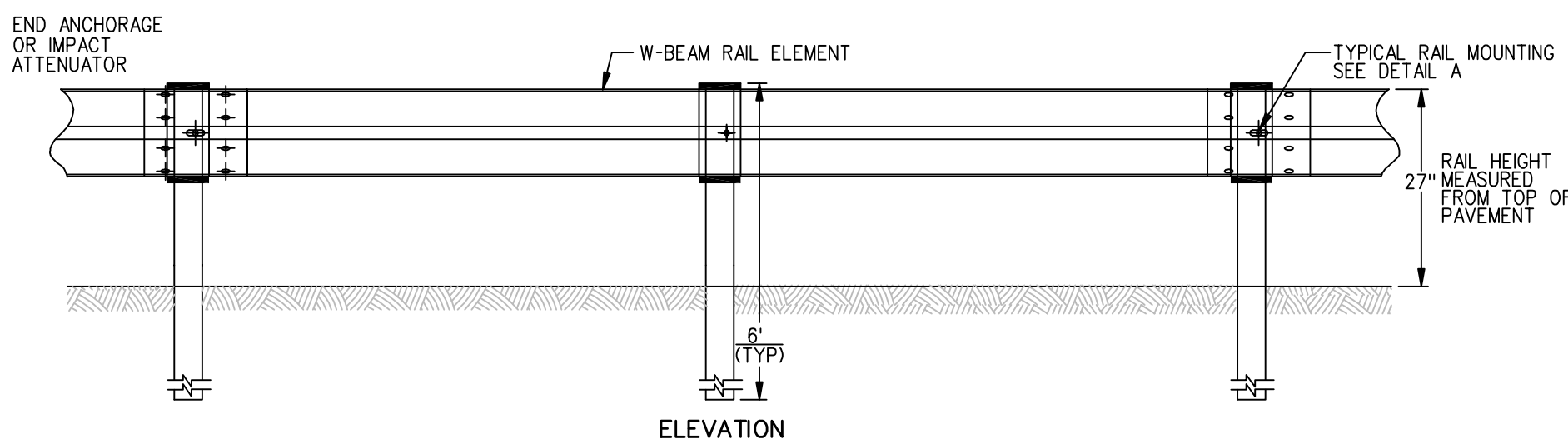
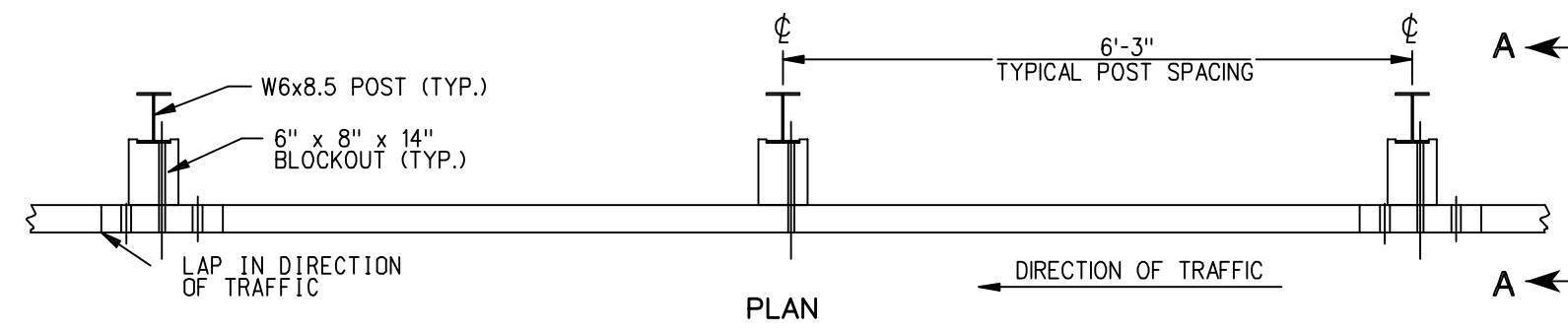
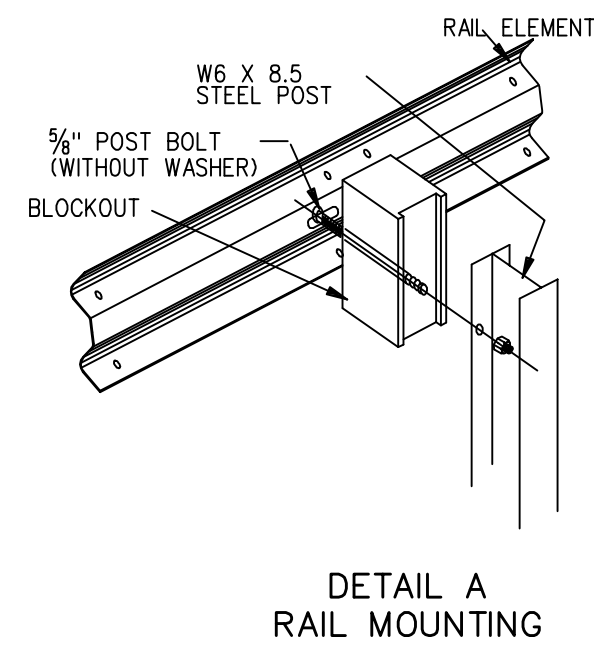
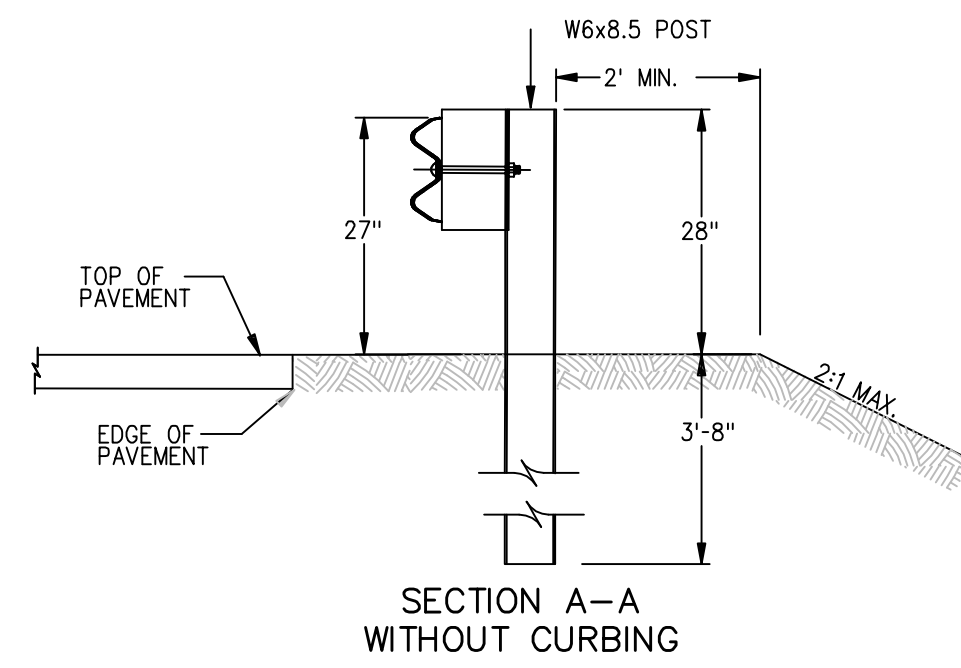


SCALE:	HORZ.: 1" = 50'
	VERT.:
DATUM:	HORZ.: NAD 27
	VERT.: NGVD 29

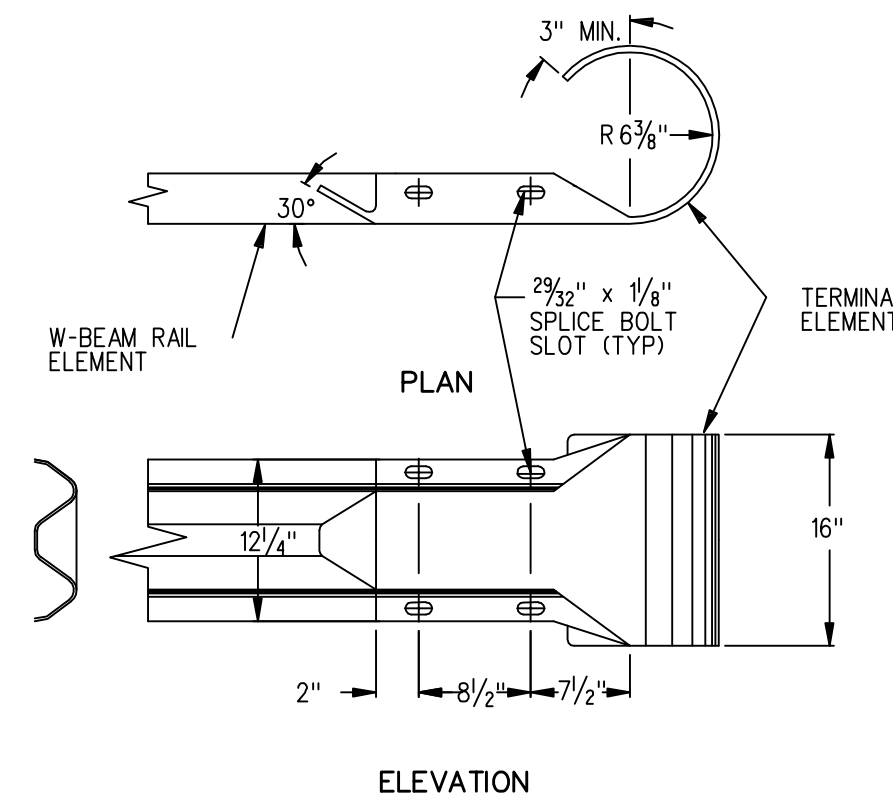
FUSS & O'NEILL
Disciplines to Deliver
 146 HARTFORD RD MANCHESTER, CT 06040 860.646.2469

CONNECTICUT RESOURCES RECOVERY AUTHORITY
EROSION CONTROL PLAN
 HARTFORD LANDFILL CLOSURE
 MSW/INTERIM ASH DISPOSAL AREA
 HARTFORD CONNECTICUT

PROJ. No.: 04-0174.H12
 DATE: JUNE 2007
CE-104



METAL BEAM RAIL DETAIL



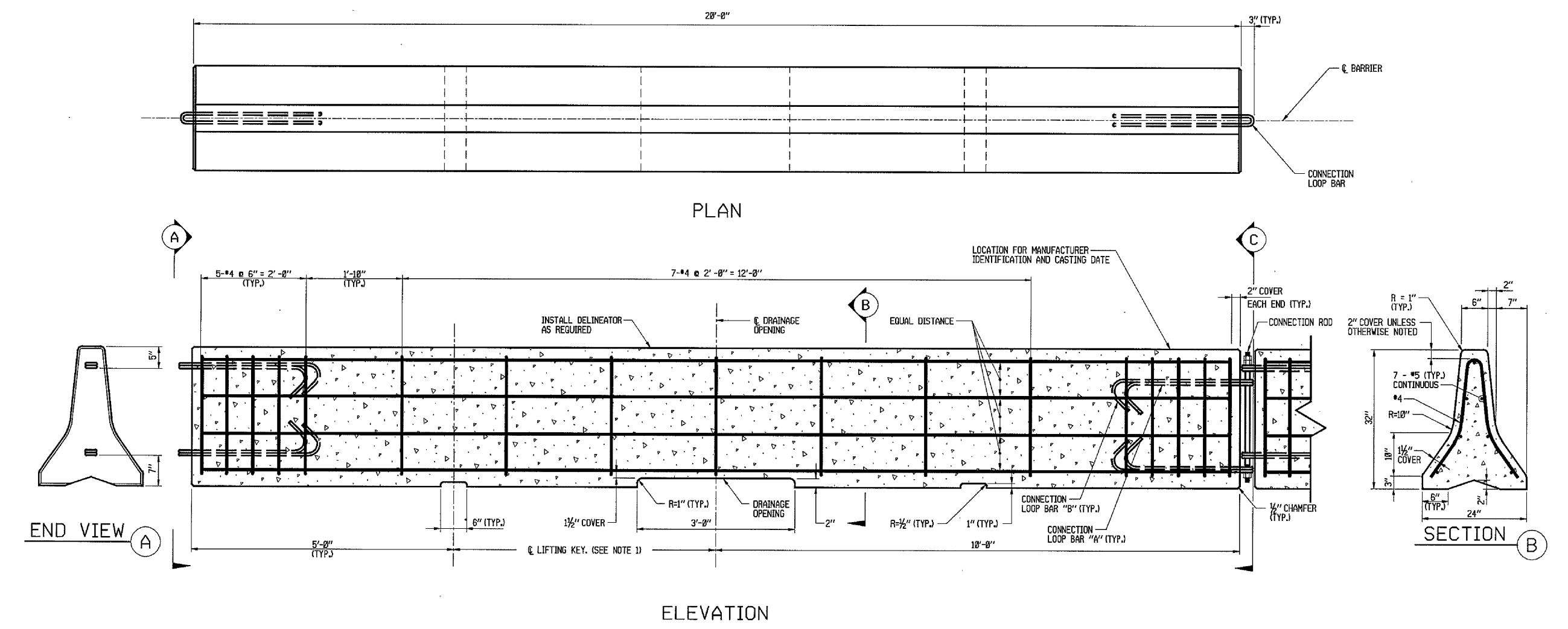
NOTE: THIS END SECTION IS NOT CRASH WORTHY. IT IS INTENDED FOR USE PRIMARILY ON LOW SPEED ROADWAYS, DRIVEWAY ENTRANCES, OR PARKING LOTS WHERE IT CAN NOT BE HIT.

R-B TERMINAL SECTION CLASS A TYPE II

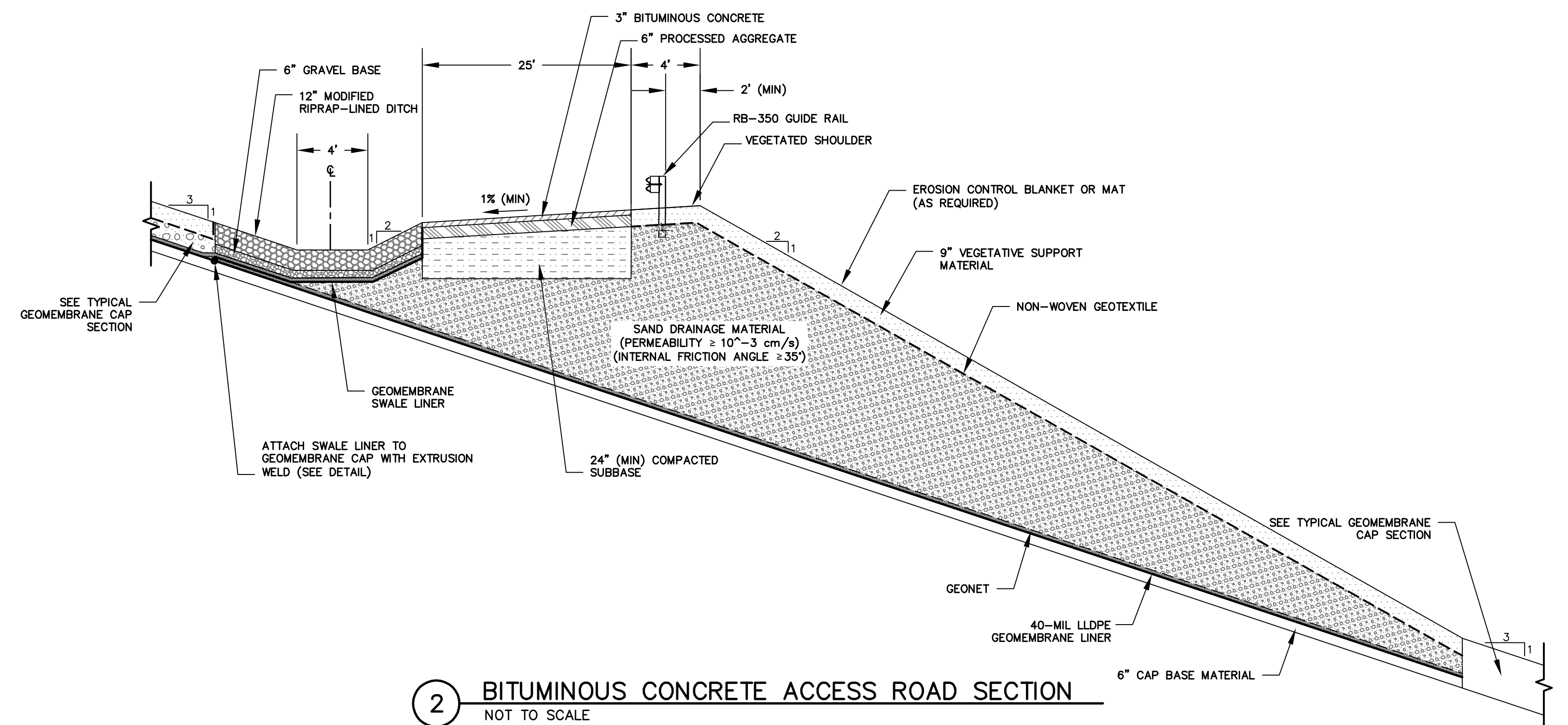
1 TYPE R-B 350 GUIDERAIL DETAIL
NOT TO SCALE

AREA		SIZE		MUTCD #		POSTS		ALUM. THK.		AREA		SIZE		MUTCD #		POSTS		ALUM. THK.		AREA		SIZE		MUTCD #		POSTS		ALUM. THK.		
SO. FT.	(INCHES)	(INCHES)	(INCHES)							SO. FT.	(INCHES)	(INCHES)	(INCHES)							SO. FT.	(INCHES)	(INCHES)	(INCHES)							
6.25	30 x 30	W7-16	1	100	3	24 x 18	W7-2b	1	100	8.25	30x30	41-4049	2	100	8.25	30x30	41-4048	2	100	5.00	24x30	31-5505	1	100						

3 ACCESS ROAD SIGNAGE
NOT TO SCALE



1 PRECAST CONCRETE BARRIER DETAIL
NOT TO SCALE



2 BITUMINOUS CONCRETE ACCESS ROAD SECTION
NOT TO SCALE

NOTES:
1. SWALE LINER GEOMEMBRANE PANELS SHALL BE SHINGLED IN THE DOWNGRADIENT DIRECTION WITH A MINIMUM OVERLAP OF 24 INCHES AND ATTACHED TO ADJACENT PANELS WITH EXTRUSION WELDS.

No.	DATE	DESCRIPTION	BY
1.			

PROJ. MANAGER:	CML
CHIEF DESIGNER:	DRL
REVIEWED BY:	DATE

SEAL	SEAL
------	------

SEAL	SEAL
------	------

SCALE:	HORZ.: NTS
	VERT.:
DATUM:	HORZ.:
	VERT.:

SCALE:	HORZ.: NTS
	VERT.:
DATUM:	HORZ.:
	VERT.:

www.FandO.com

FUSS & O'NEILL
Disciplines to Deliver

146 HARTFORD RD MANCHESTER, CT 06040 860.646.2469

CONNECTICUT RESOURCES RECOVERY AUTHORITY

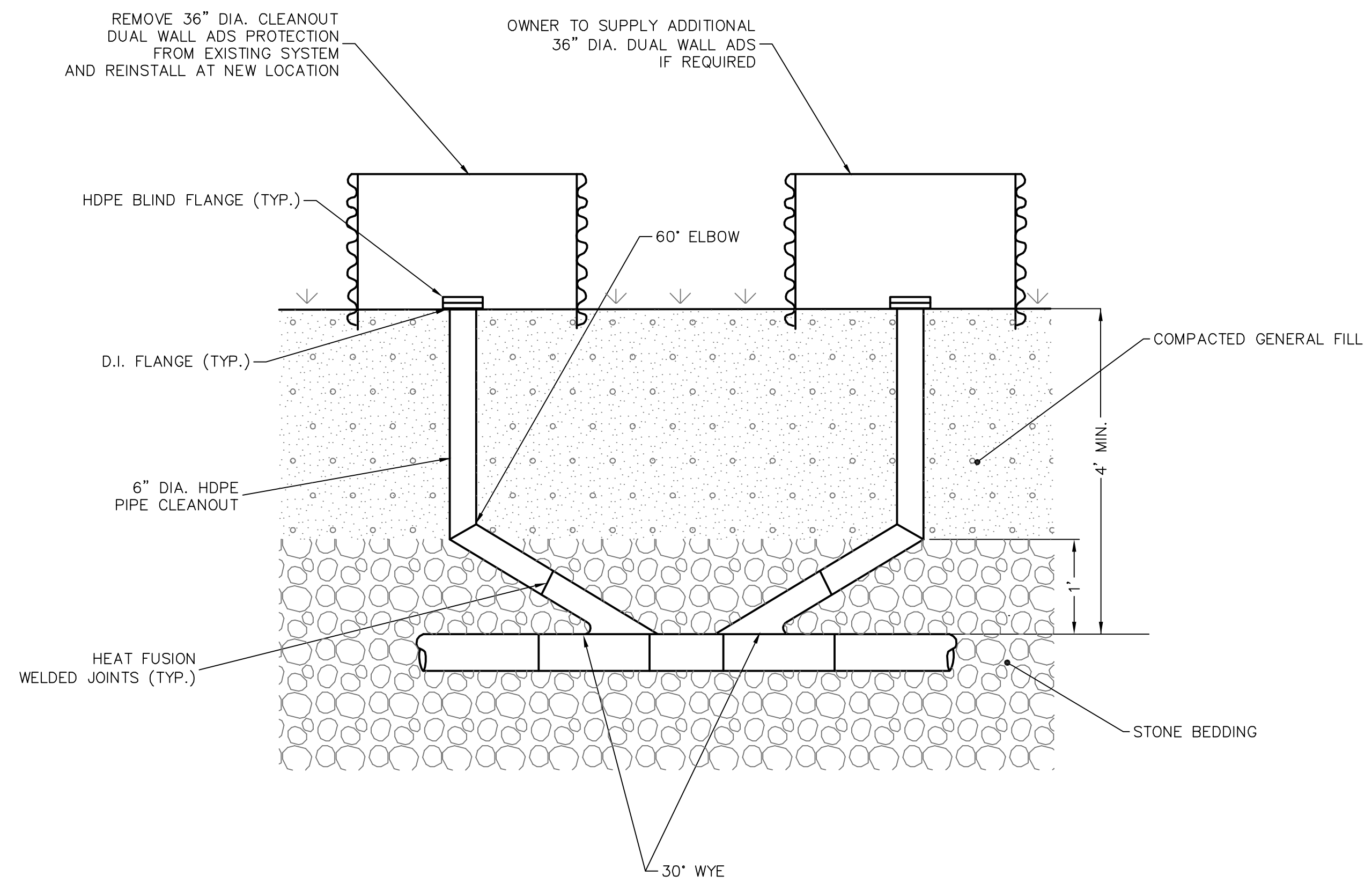
ACCESS ROAD DETAILS
HARTFORD LANDFILL CLOSURE
MSW/INTERIM ASH DISPOSAL AREA

HARTFORD CONNECTICUT

PROJ. No.: 04-0174.H12
DATE: JUNE 2007

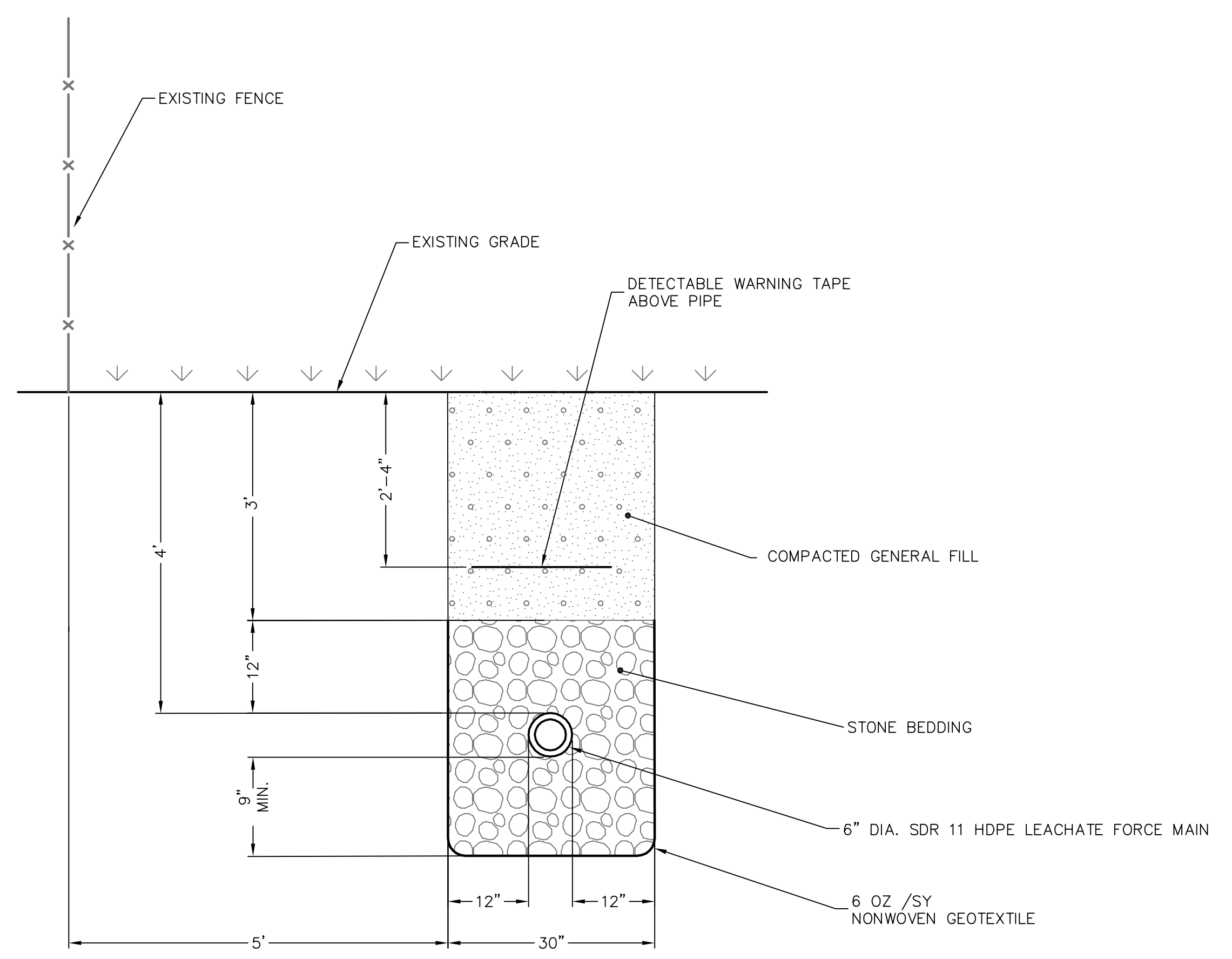
CP-501

File Path: J:\DWG\GP20040174H12\Detail\04174H12Detail.dwg, Layout: CU-501 Thu, Jun 08, 2007 - 7:56 AM User: KSpear
 LMS VIEW: SITE-1
 CTB: FO_STANDARD
 LMAN: DETAILS



THIS CLEANOUT SHALL BE INSTALLED EVERY 400 FEET ALONG THE LEACHATE FORCE MAIN

1 PIPE CLEANOUT DETAIL
NOT TO SCALE



2 LEACHATE FORCE MAIN TRENCH DETAIL
NOT TO SCALE

No.	DATE	DESCRIPTION	BY
1.	6/8/07	ADDENDUM NO. 1	
REVISIONS			

PROJ. MANAGER:		SEAL	
CHIEF DESIGNER:		SEAL	
REVIEWED BY:	DATE		

SCALE:	HORZ.: NTS
	VERT.:
DATUM:	HORZ.:
	VERT.:
GRAPHIC SCALE	

WWW.FandO.COM

FUSS & O'NEILL
Disciplines to Deliver

146 HARTFORD RD MANCHESTER, CT 06040 860.646.2469

CONNECTICUT RESOURCES RECOVERY AUTHORITY

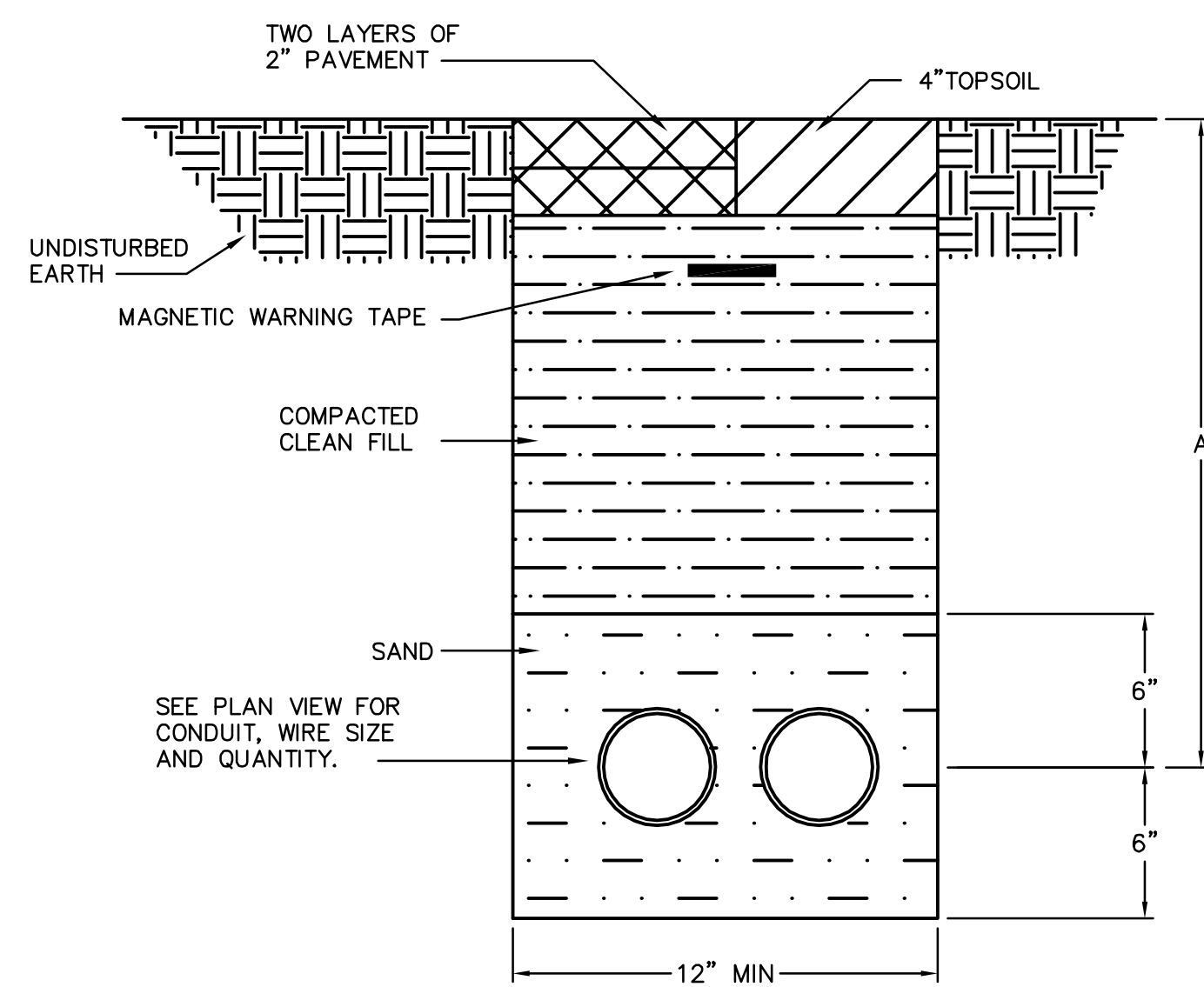
FORCE MAIN RELOCATION DETAILS

HARTFORD LANDFILL CLOSURE
MSW/INTERIM ASH DISPOSAL AREA
HARTFORD CONNECTICUT

PROJ. No.: 04-0174.H12
DATE: JUNE 2007

CU-501

File Path: J:\DWG\20040174H12\Detail\04174H10DE1005.dwg, Layout: E-501, Fri, Jun 08, 2007, 3:08 PM, User: KSpear
 LMAN: DETAILS
 LMS VIEW: SITE-1
 LGS:



CONDUIT DEPTHS	
SERVICE	DIM "A"
SECONDARY	24"
TELCOM	24"

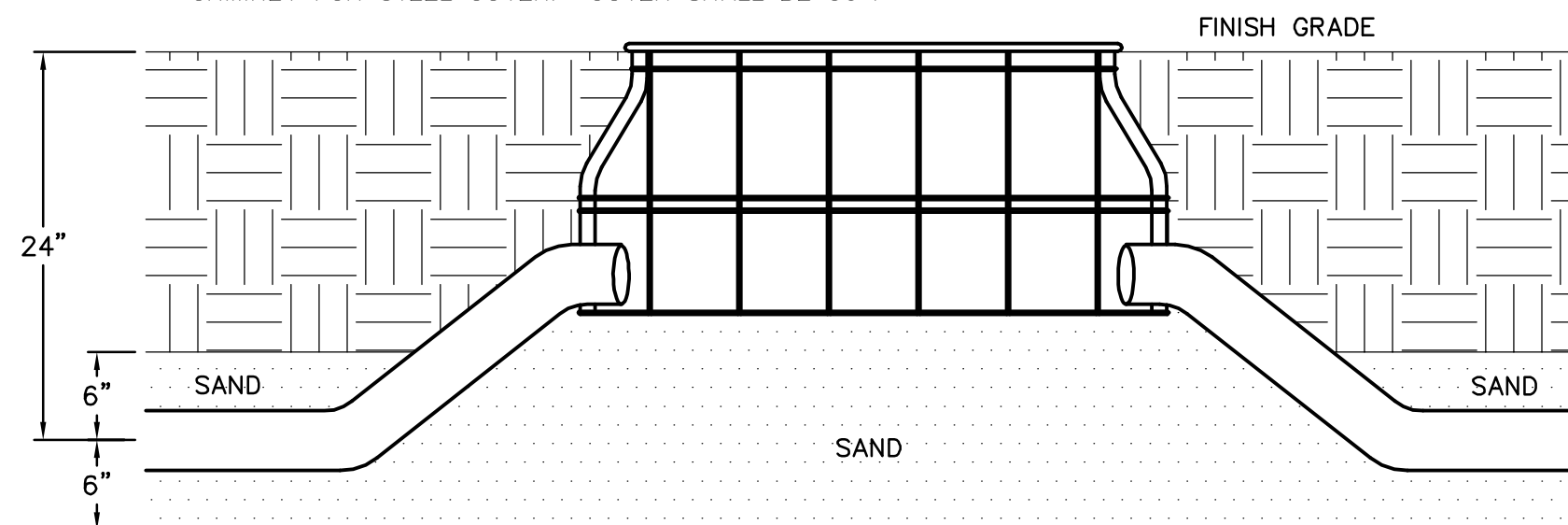
NOTE: WHEN MULTIPLE CONDUITS ARE BURIED TOGETHER THERE SHALL BE A MINIMUM OF 2" CLEARANCE BETWEEN CONDUITS

2 BURIED CONDUIT DETAIL
NOT TO SCALE

PROVIDE IN-GROUND HANDHOLE BOX:
 - POLYMER CONCRETE
 - TOP RING
 - REINFORCING RIBS
 - 3000 PSI MIN.
 - OPEN BOTTOM
 - WITH COVER EQUAL TO CARSON

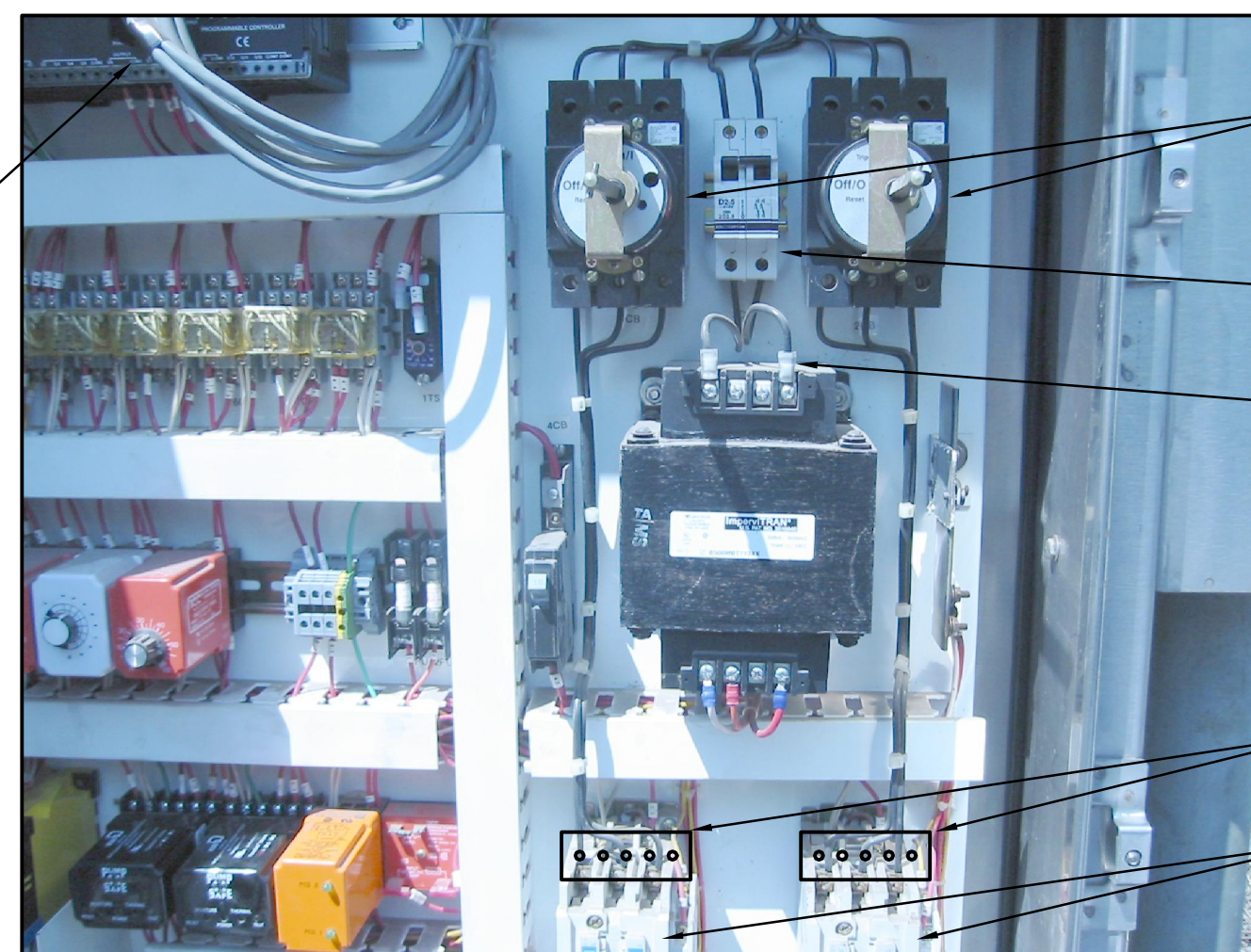
NON-ROADWAY POWER HANDHOLE EQUAL TO CARSON INDUSTRIES MODEL H1730-18, HEAVY DUTY
 NON-ROADWAY TELCOM HANDHOLE EQUAL TO CARSON INDUSTRIES MODEL H1118-12, HEAVY DUTY

ROADWAY HANDHOLE EQUAL TO OLD CASTLE HH2X2 24" HIGH. CONTRACTOR SHALL PROVIDE BRICK CHIMNEY FOR STEEL COVER. COVER SHALL BE 30"φ

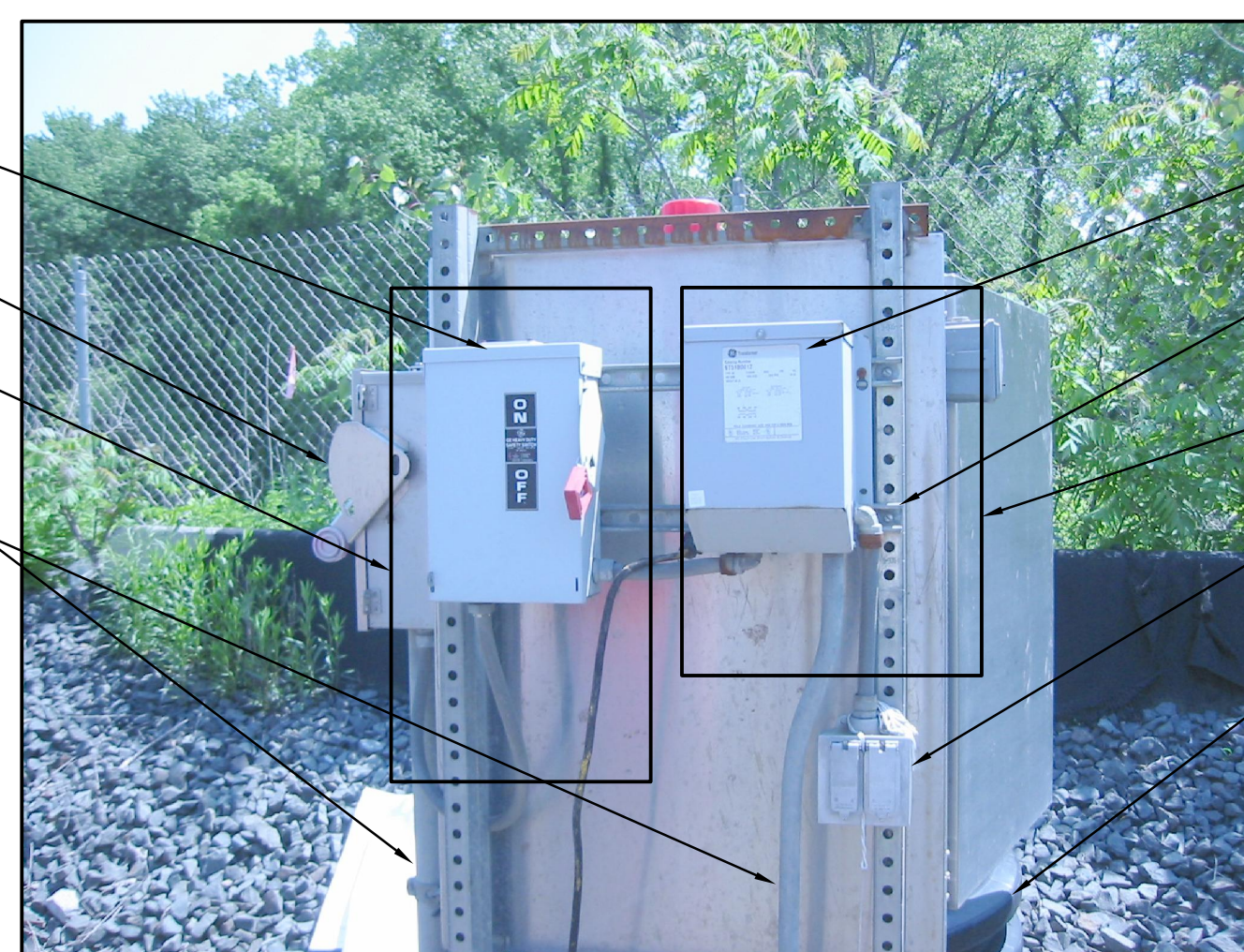


1 ELECTRICAL HANDHOLE DETAIL
NOT TO SCALE

NEW FIBER OPTIC CABLE TO BE TERMINATED BY OWNERS REPRESENTATIVE



REMOVE DISCONNECTS INCLUDING HANDLES ON THE FRONT OF THE ENCLOSURE AND PLUG THE HOLES.
 REMOVE CIRCUIT BREAKER
 NEW BRANCH CIRCUIT TO PRIMARY SIDE OF EXISTING CONTROL TRANSFORMER
 NEW DISTRIBUTION BLOCK FOR EACH PUMP.
 REMOVE MOTOR STARTERS



REMOVE DISCONNECT
 REMOVE MAIN DISCONNECT AFTER NEW POWER FEED IS ACTIVE.
 NEW POWER PANEL
 REMOVE CONDUITS 5FT. PAST ENCLOSURES

REMOVE CONTROL POWER TRANSFORMER
 ADD STRUT FOR MOUNTING AS NECESSARY
 NEW VFD ENCLOSURE
 REMOVE RECEPTACLE
 EXISTING ELECTRICAL HANDHOLE

GENERAL NOTE: POWER TO ALL PUMPS MUST NOT BE DISCONNECTED FOR MORE THAN 24 HOURS. OWNER SHALL BE NOTIFIED 48 HOURS PRIOR TO ANY POWER OUTAGE.

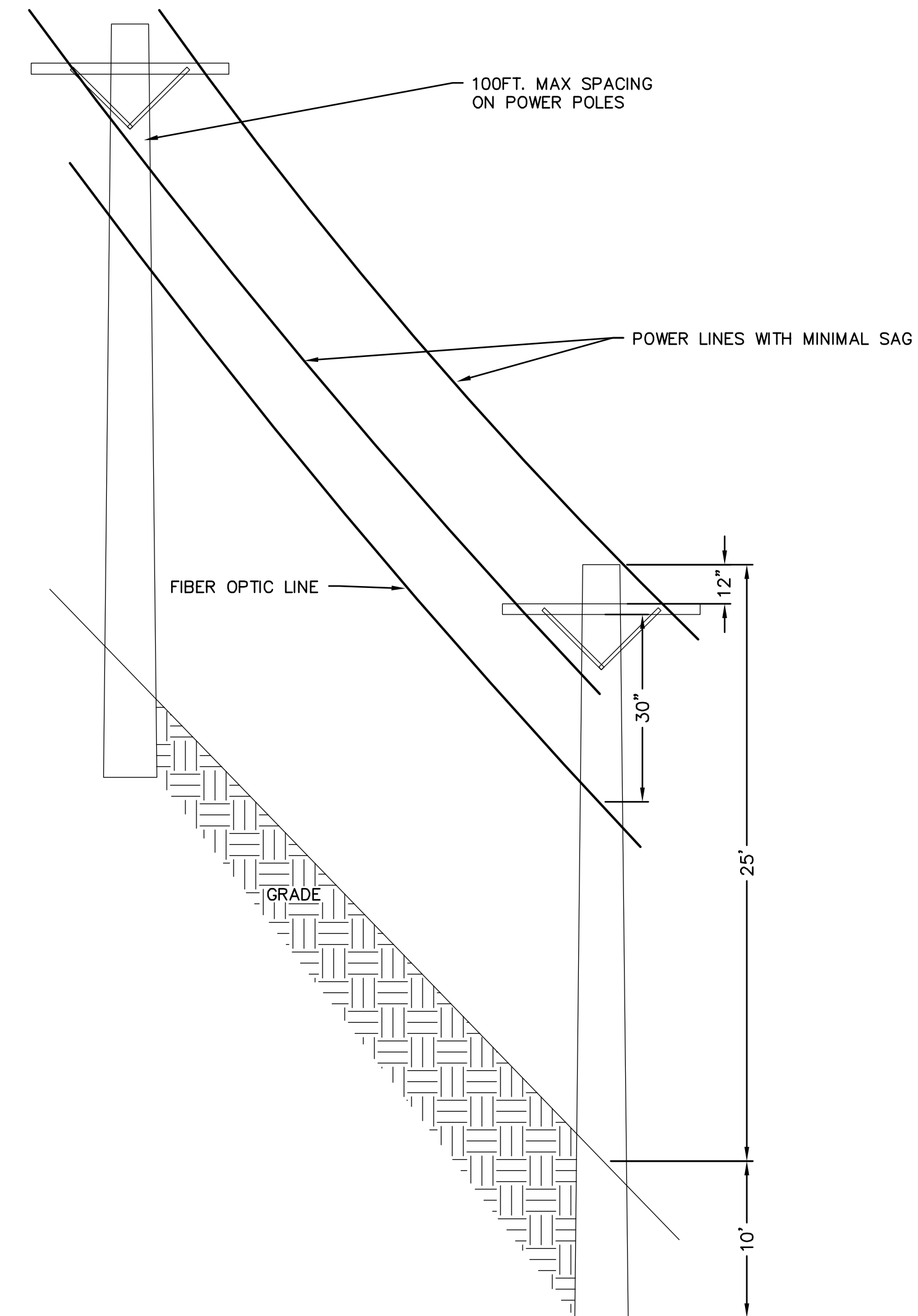
4 PANEL/VFD INSTALLATION
NOT TO SCALE

HARTFORD LANDFILL DUPLEX PUMP CONTROL MODIFICATION REQUIREMENTS AND VARIABLE FREQUENCY DRIVE INSTALLATION.

NOTE: UPDATED ELECTRICAL SCHEMATICS FOR DUPLEX PUMP CONTROL SYSTEM WERE NOT AVAILABLE AT TIME OF DESIGN. CONTRACTOR'S SYSTEM INTEGRATOR IS RESPONSIBLE FOR FIELD INVESTIGATION AND ASCERTAINING EXISTING CONDITIONS WITH RESPECT TO CONTROLS WIRING AND PLC CODE / SYSTEM OPERATION.

- PROVIDE POWER DISTRIBUTION BLOCKS IN EXISTING DUPLEX PUMP CONTROL PANEL FOR EACH PUMP MOTOR CONNECTION. THE POWER DISTRIBUTION BLOCKS SHALL BE RATED IN ACCORDANCE WITH NEC REQUIREMENTS. PROVIDE FINGER-SAFE COVERS. LOAD SIDE (OUTPUT) OF NEWLY INSTALLED VARIABLE FREQUENCY DRIVES (LOCATED IN SEPARATE ENCLOSURE) SHALL BE CONNECTED TO THE LINE SIDE (INPUT) OF THE NEWLY PROVIDED POWER DISTRIBUTION BLOCKS. EACH PUMP MOTOR SHALL BE CONNECTED TO THE LOAD-SIDE OF ITS RESPECTIVE POWER DISTRIBUTION BLOCK.
- MODIFY EXISTING DUPLEX PUMP CONTROL SYSTEM AND PROVIDE DRY "RUN" CONTACTS TO VARIABLE FREQUENCY DRIVE RUN CIRCUIT ON DRIVE'S CONTROL TERMINAL BLOCK FOR EACH PUMP.
- PROVIDE PROGRAMMING OF "PRE-SELECTED" SPEED WITH ASSOCIATED WIRING ON DRIVE'S CONTROL TERMINAL BLOCK FOR EACH PUMP. PRE-SELECTED SPEED SHALL BE AS APPROPRIATE FOR PUMP'S NEW DUTY POINT.
- MODIFY EXISTING DUPLEX PUMP CONTROL SYSTEM AND PROVIDE A "VFD FAULT" PILOT LIGHT WIRED TO THE VFD'S PROGRAMMABLE OUTPUT CONTACT ON THE DRIVE'S CONTROL TERMINAL BLOCK FOR EACH PUMP.
- PROVIDE NEMA 3R VENTED STEEL ENCLOSURE TO BE MOUNTED AS INDICATED IN DETAIL 4. ENCLOSURE SHALL BE PROVIDED WITH TWO 10HP, 460V, 3P VARIABLE TORQUE VFD'S IN ACCORDANCE WITH SECTION 16269 - VARIABLE FREQUENCY CONTROLLERS. PROVIDE INTEGRAL HEATER/FAN UNIT WITH INTEGRAL THERMOSTAT. PROVIDE COOLING FAN UNIT WITH THERMOSTAT. PROGRAM AND CONFIGURE FOR COMPLETE AND OPERATIONAL SYSTEM TO WORK IN CONJUNCTION WITH MODIFIED DUPLEX PUMP CONTROL SYSTEM AS DESCRIBED ABOVE.
- PROVIDE VFD PROGRAMMING IN ACCORDANCE WITH SECTION 16269 - VARIABLE FREQUENCY CONTROLLERS.

3 VARIABLE FREQUENCY DRIVE NOTES
NOT TO SCALE



6 POWER POLE DETAIL
NOT TO SCALE

SCHEDULE FOR PANEL P-1									
Panel Designation:	P-1	Frame Size:		100A	Volts:		480		
Mounting:	Surface	MLO/VCB (Amps):		MCB	Phase:		3		
TVSS Type:	N/A	A.I.C.:		12,000	Wire:		4		
CKT	DESCRIPTION	V/A	VOLTS	PH	WIRE	CONDUIT	AMPS	POLES	REMARKS
1	Lift Station Pump #1	11,626	480	3	#8 AWG	3/4" PVC	35	3	
2	Lift Station Pump #2	11,626	480	3	#8 AWG	3/4" PVC	35	3	
3	Ash Pit Pump #1	3,986	480	3	#6 AWG	3/4" PVC	20	3	
4	Ash Pit Pump #2	3,986	480	3	#6 AWG	3/4" PVC	20	3	
5	Ash Pit Pump #3	3,986	480	3	#6 AWG	3/4" PVC	20	3	
6	Ash Pit Pump #4	3,986	480	3	#6 AWG	3/4" PVC	20	3	
7	Control Power Transformer	600	480	1	#12 AWG	3/4" PVC	20	2	
8	Spare C/B's		480	3			20	6	2 - 3 pole circuit breakers
9	Spare Space							4	

NOTE 1: PANEL P-1 SHALL BE NEMA 3R.

NOTE 2: FOR CIRCUITS 1, 2, AND 7, CONNECTIONS TO EXISTING LOADS SHALL BE MADE INSIDE EXISTING CONTROL PANEL.

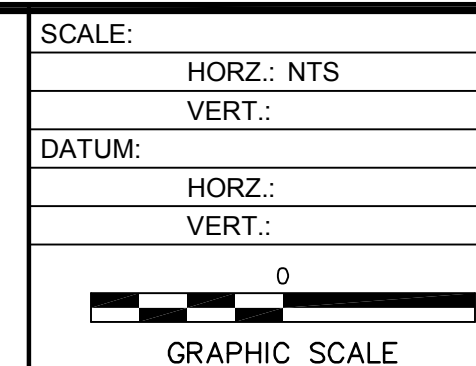
NOTE 3: FOR CIRCUITS 3-6, CONNECTIONS TO EXISTING LOADS SHALL BE MADE INSIDE EXISTING MANHOLE LOCATED IN FRONT OF EXISTING CONTROL PANEL.

5 PANELBOARD SCHEDULE
NOT TO SCALE

No.	DATE	DESCRIPTION	ALP	BY
1.	6/8/07	ADDENDUM NO. 1	ALP	
REVISIONS				

PROJ. MANAGER: CML
 CHIEF DESIGNER: ALP
 REVIEWED BY: JMC DATE 6/8/07

SEAL SEAL



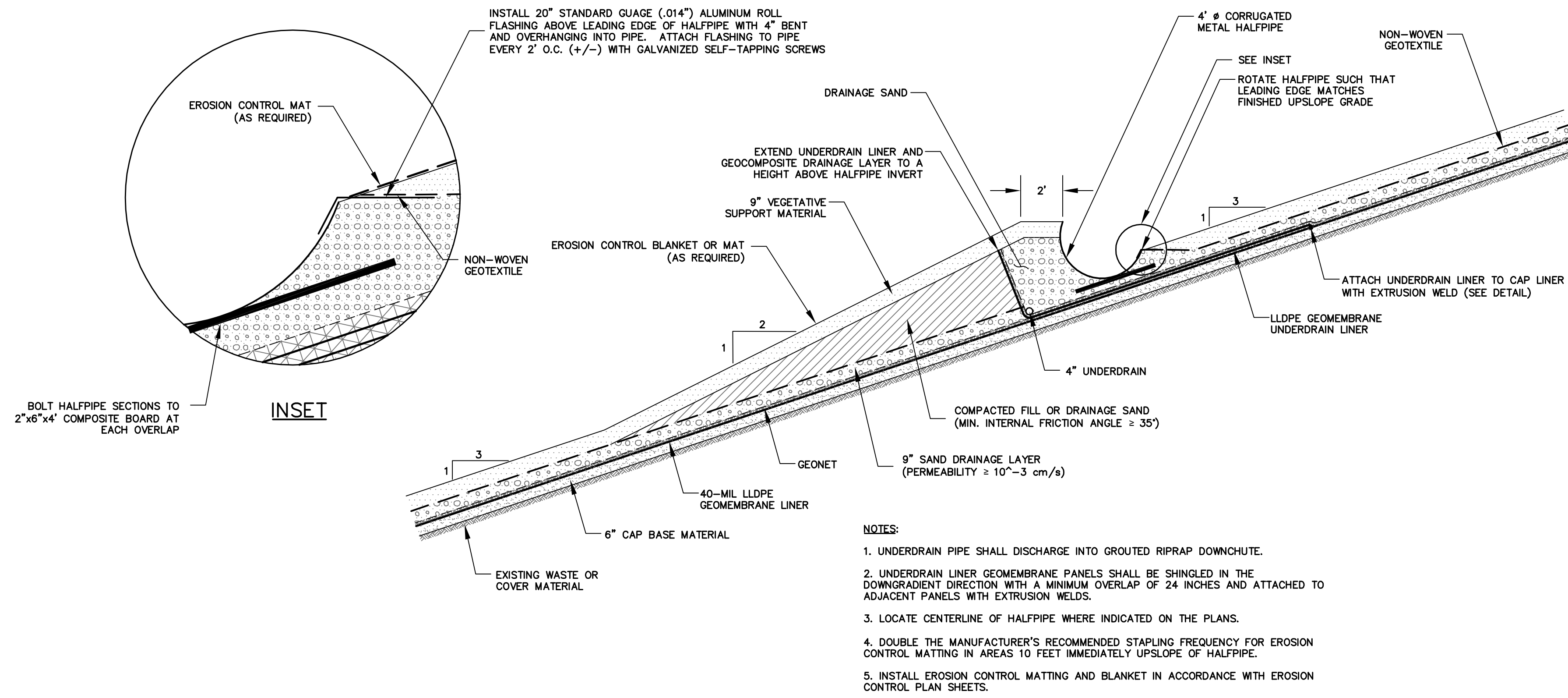
WWW.FandO.COM
FUSS & O'NEILL
Disciplines to Deliver
 146 HARTFORD RD MANCHESTER, CT 06040 860.646.2469

CONNECTICUT RESOURCES RECOVERY AUTHORITY
 ELECTRICAL RELOCATION DETAILS
 HARTFORD LANDFILL CLOSURE
 MSW/INTERIM ASH DISPOSAL AREA
 HARTFORD CONNECTICUT

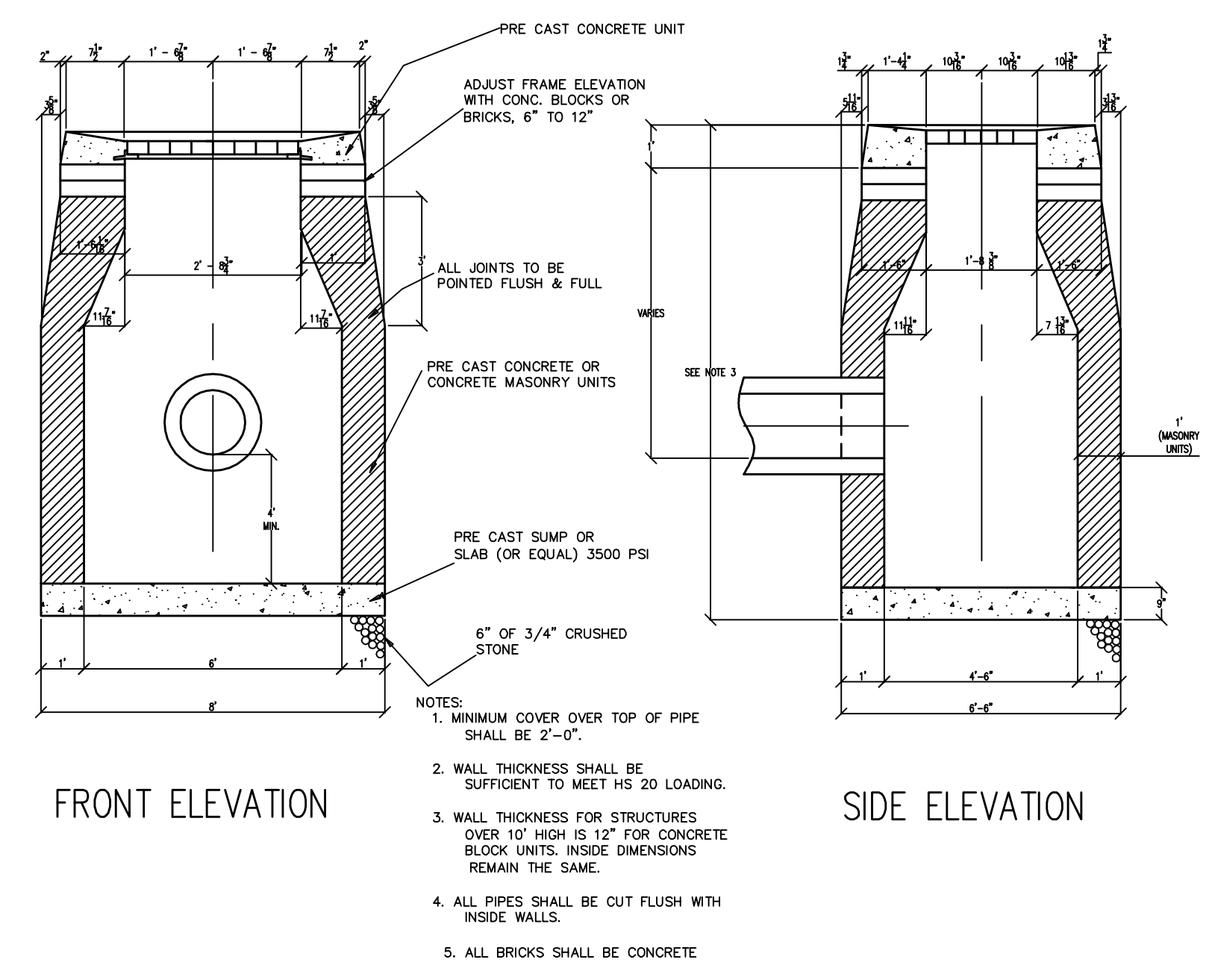
PROJ. No.: 04-0174.H12
 DATE: JUNE 2007

CU-502

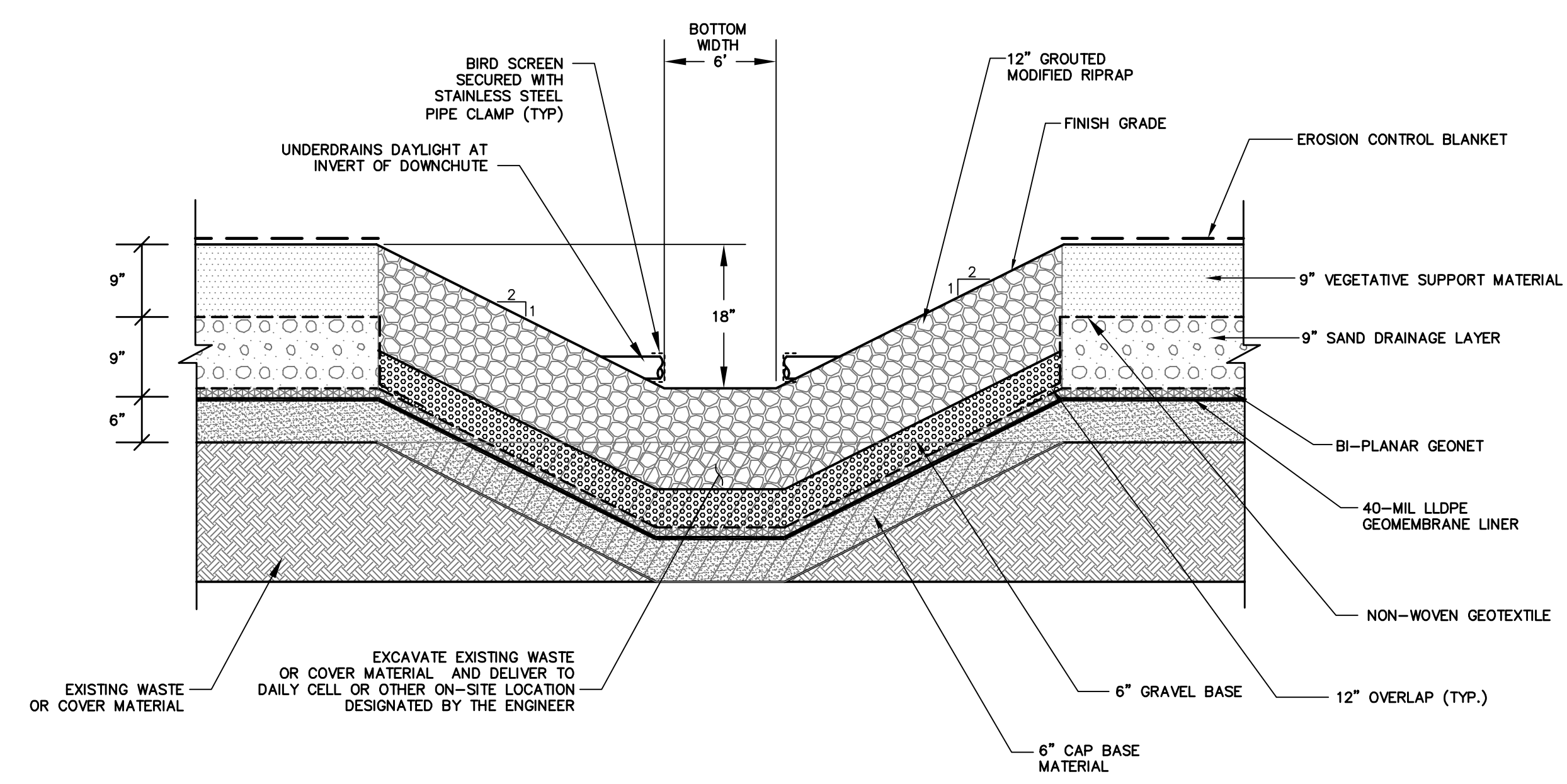
File Path: J:\DWG\2004\0174\H12\Detail\04174H12DET001.dwg, Layout: CI-511, Wed, May 30, 2007 4:18 PM, User: DonaldL
 CTB: FO_STANDARD
 LMAN: DETAILS
 MS VIEW: DRAINAGE-1
 LGS:



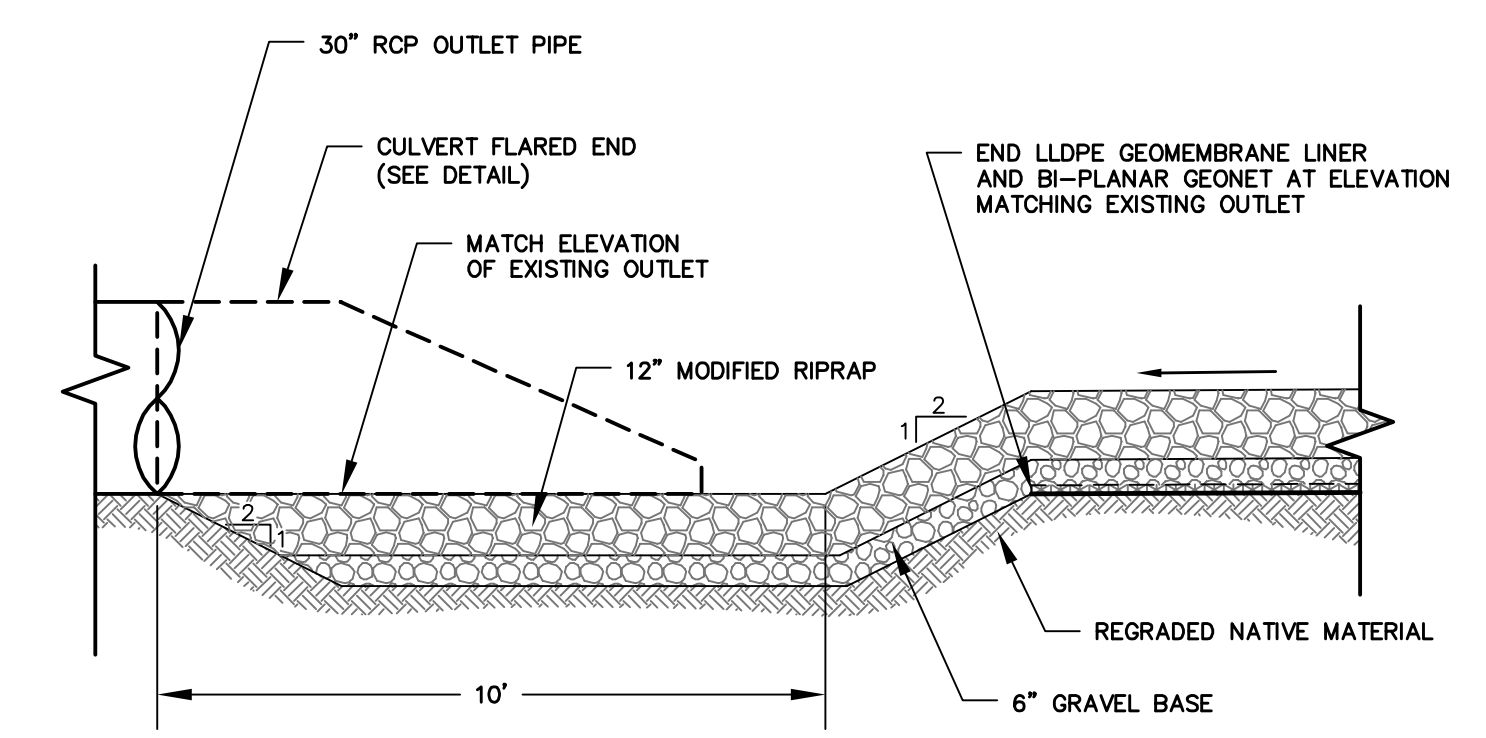
1 DIVERSION SWALE
NOT TO SCALE



2 TYPE "C-L" CATCH BASIN
NOT TO SCALE



3 GROUTED RIPRAP DOWNCHUTE
NOT TO SCALE



4 DITCH DETAIL AT OUTLET STRUCTURE
NOT TO SCALE

No.	DATE	DESCRIPTION	BY
1.			
REVISIONS			

PROJ. MANAGER:	CML
CHIEF DESIGNER:	DRL
REVIEWED BY:	DATE

SEAL	SEAL
------	------

SCALE:	HORZ.: NTS
	VERT.:
DATUM:	HORZ.:
	VERT.:

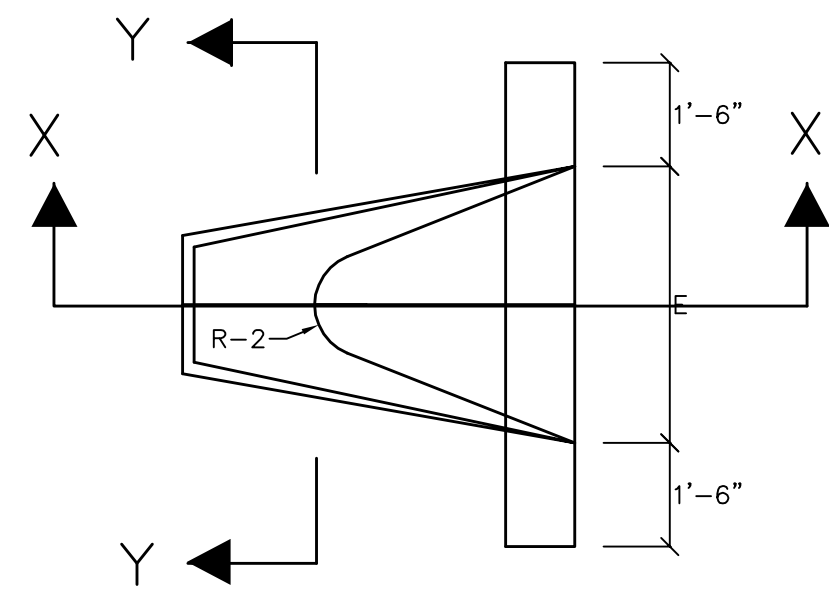

FUSS & O'NEILL
Disciplines to Deliver
 146 HARTFORD RD MANCHESTER, CT 06040 860.646.2469

CONNECTICUT RESOURCES RECOVERY AUTHORITY
 DRAINAGE DETAILS
 HARTFORD LANDFILL CLOSURE PLAN
 MSW/INTERIM ASH DISPOSAL AREA
 HARTFORD CONNECTICUT

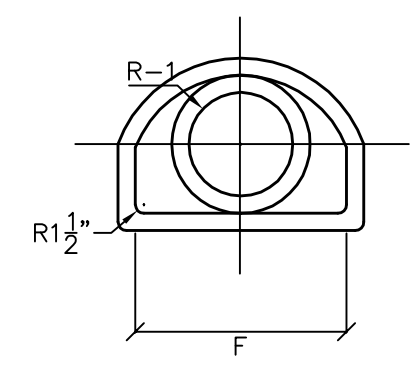
PROJ. No.: 04-0174.H12
 DATE: JUNE 2007
CI-511

File Path: J:\DWG\2004\0174\H12\Detail\04174H12DET001.dwg, Layout: CI-512, Wed, May 30, 2007, 4:18 PM, User: Donald
 CTB: FO_STANDARD
 LMAN: DETAILS
 LMS VIEW: DRAINAGE-2
 LGS:

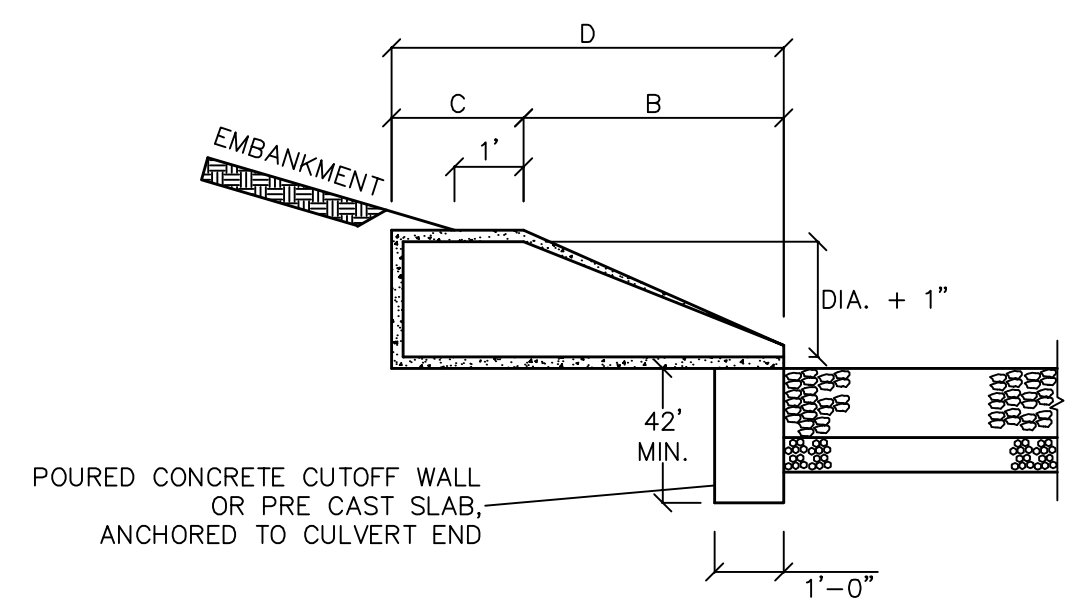
DIMENSIONS								
DIA.	A	B	C	D	E	F	R-1	R-2
12"	4"	2'-0"	6'-0 3/8"	6'-0 3/8"	2'-0"	1'-7 15/16"	1'-0 1/4"	9"
15"	6"	2'-3"	3'-10"	6'-1"	2'-6"	2'-0 5/16"	1'-0 1/2"	11"
18"	9"	2'-3"	3'-10"	6'-1"	3'-0"	2'-5"	1'-3 1/2"	1'-0"
24"	9 1/2"	3'-7 1/2"	2'-6"	6'-1 1/2"	4'-0"	2'-9 3/16"	1'-4 13/16"	1'-2"
30"	1'-0"	4'-6"	1'-7 3/4"	6'-1 3/4"	5'-0"	3'-1"	1'-6 1/2"	1'-3"
36"	1'-3"	5'-3"	2'-10 3/4"	8'-1 3/4"	6'-0"	3'-11 13/16"	2'-0 5/16"	1'-8"
42"	1'-9"	5'-3"	2'-11"	8'-2"	6'-6"	4'-5 7/8"	2'-3 1/2"	1'-10"
48"	2'-0"	6'-0"	2'-2"	8'-2"	7'-0"	4'-8 1/2"	2'-4 1/2"	1'-10"



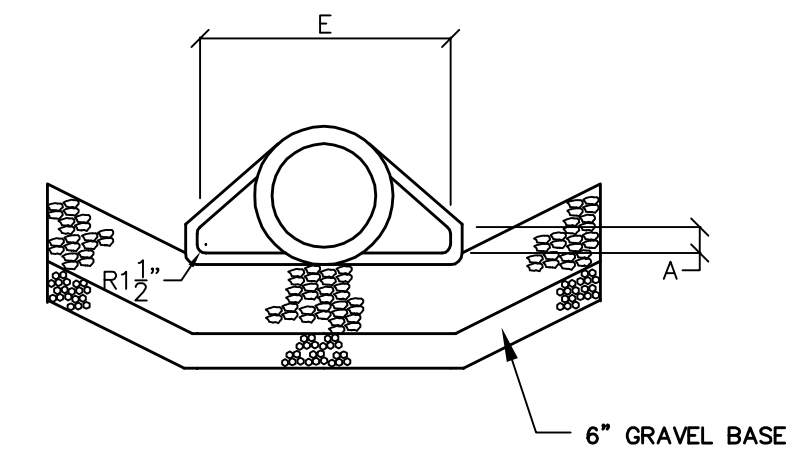
PLAN



SECTION Y-Y



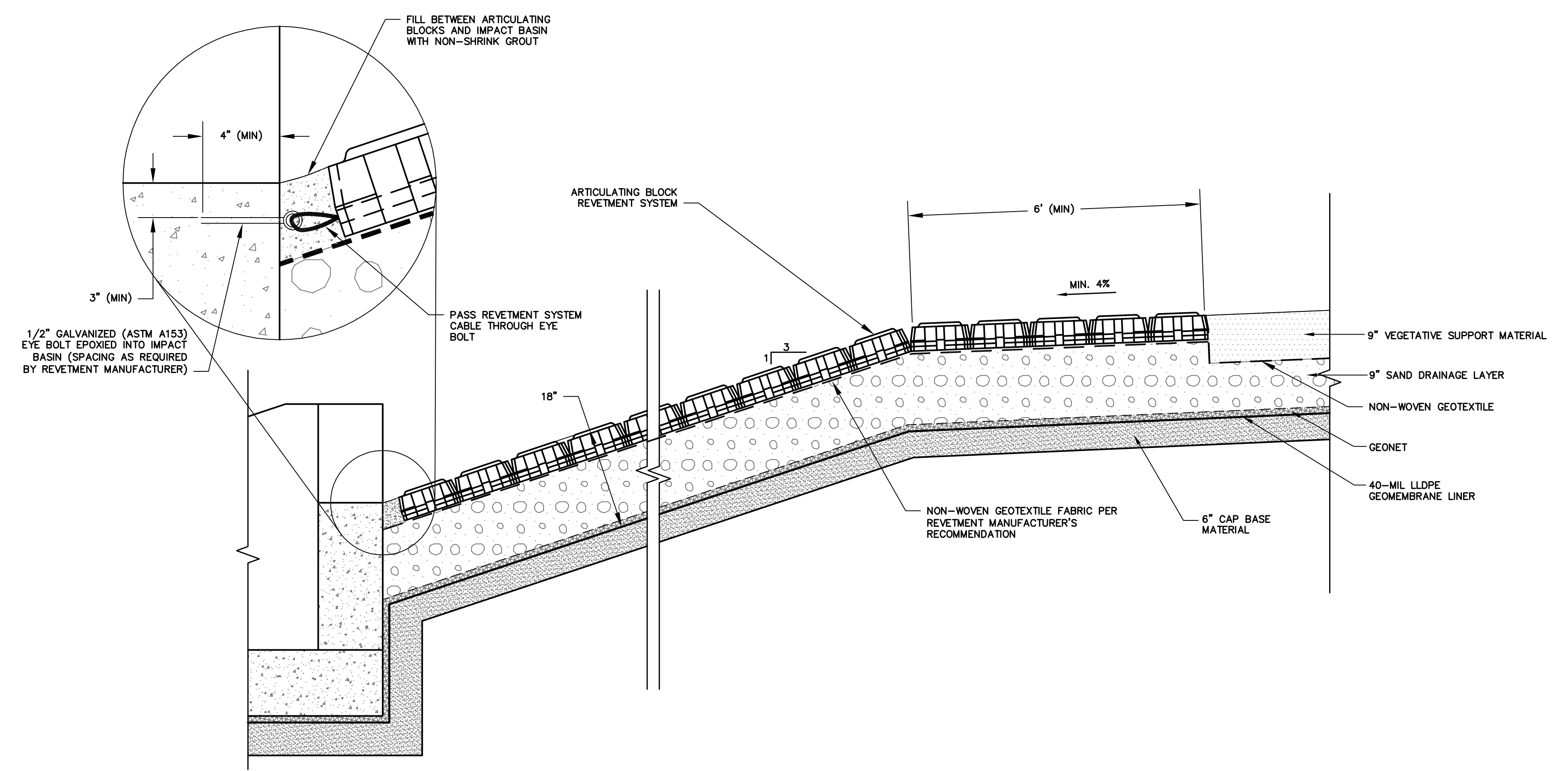
SECTION X-X



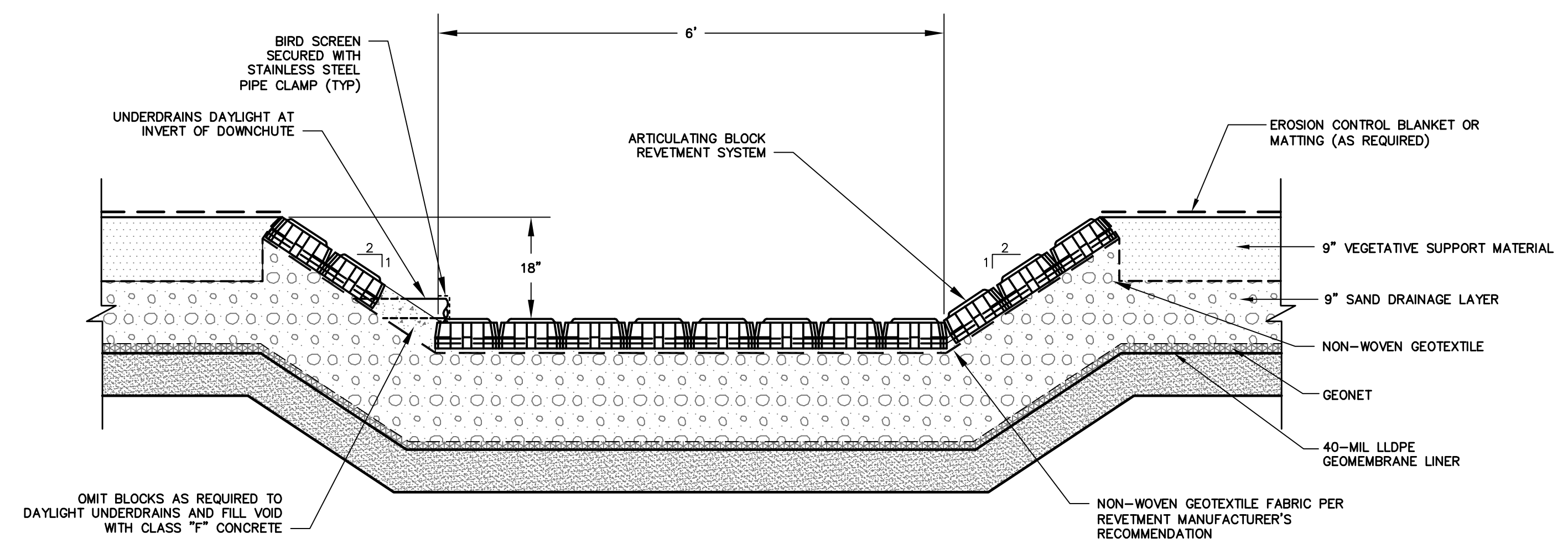
END VIEW

1 CULVERT FLARED END
NOT TO SCALE

NOTES:
 JOINTS SHALL BE TONGUE AND GROOVE OR BELL AND SPIGOT AS REQUIRED TO CONFORM TO PIPE.
 WALL THICKNESS SHALL CONFORM TO PIPE THICKNESS.
 STRUCTURE SHALL BE PLACED ON EXISTING SUITABLE COMPACTED MATERIAL OR 12" GRAVEL BASE.



2 ALTERNATE DOWNCHUTE PROFILE
NOT TO SCALE



3 ALTERNATE DOWNCHUTE SECTION
NOT TO SCALE

No.	DATE	DESCRIPTION	BY
1.			

PROJ. MANAGER:	CML	SEAL	
CHIEF DESIGNER:	DRL	SEAL	
REVIEWED BY:	DATE		

SCALE:	HORIZ.: NTS
	VERT.:
DATUM:	HORIZ.:
	VERT.:

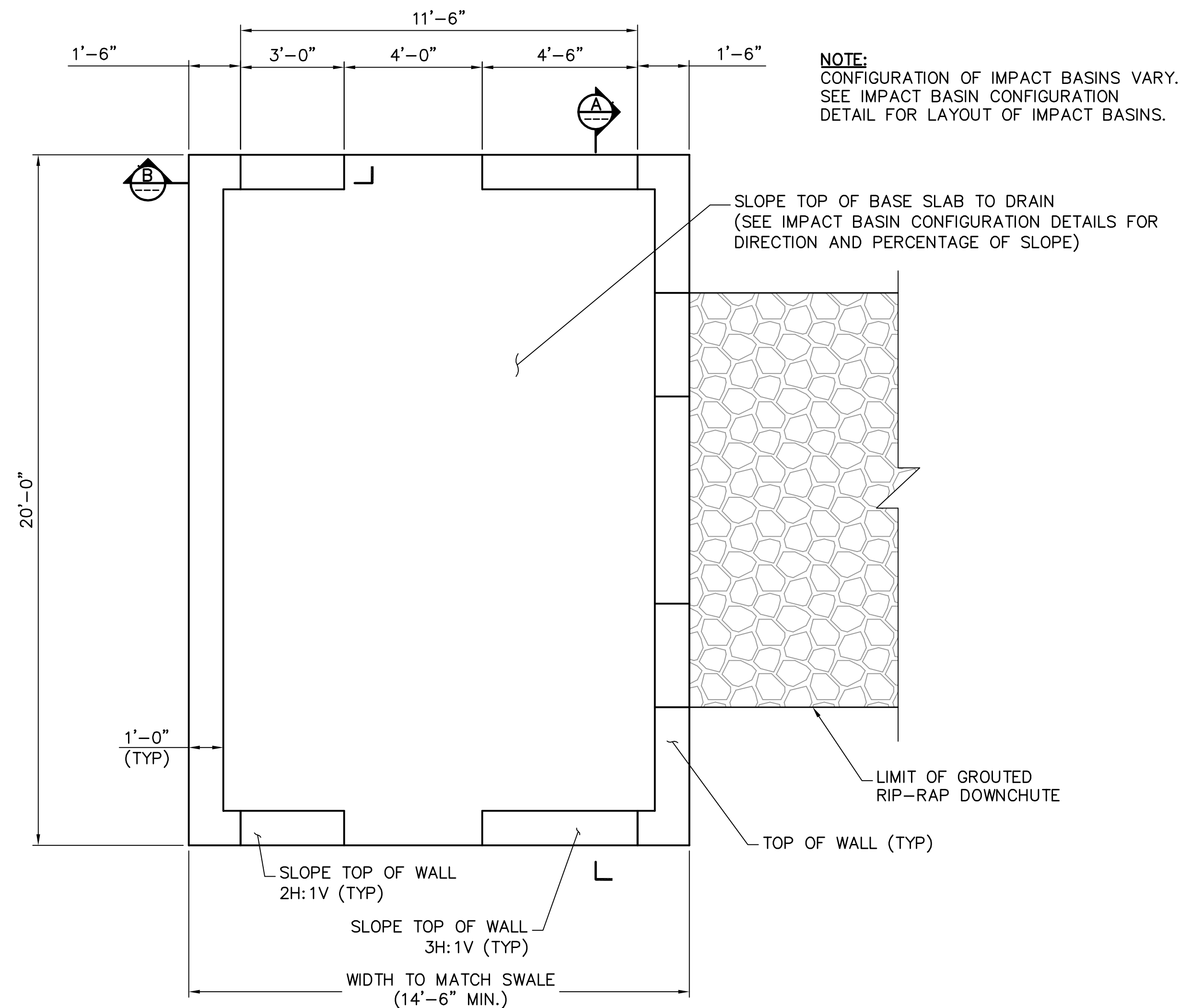
SCALE:	HORIZ.: NTS
	VERT.:
DATUM:	HORIZ.:
	VERT.:


FUSS & O'NEILL
Disciplines to Deliver
 146 HARTFORD RD MANCHESTER, CT 06040 860.646.2469

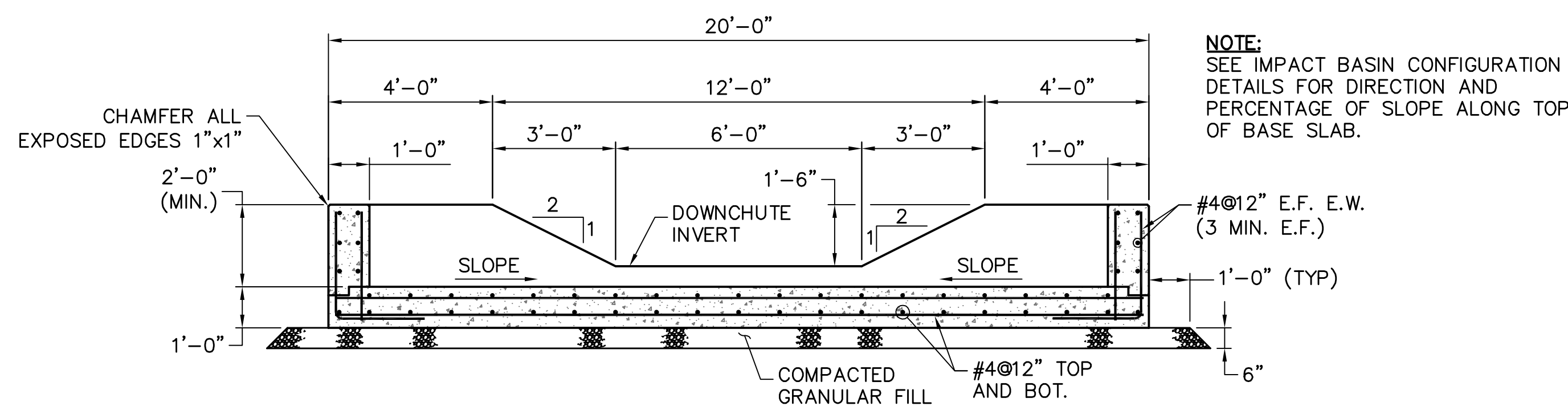
CONNECTICUT RESOURCES RECOVERY AUTHORITY
 DRAINAGE DETAILS
 HARTFORD LANDFILL CLOSURE
 MSW/INTERIM ASH DISPOSAL AREA
 HARTFORD CONNECTICUT

PROJ. No.: 04-0174.H12
 DATE: JUNE 2007
CI-512

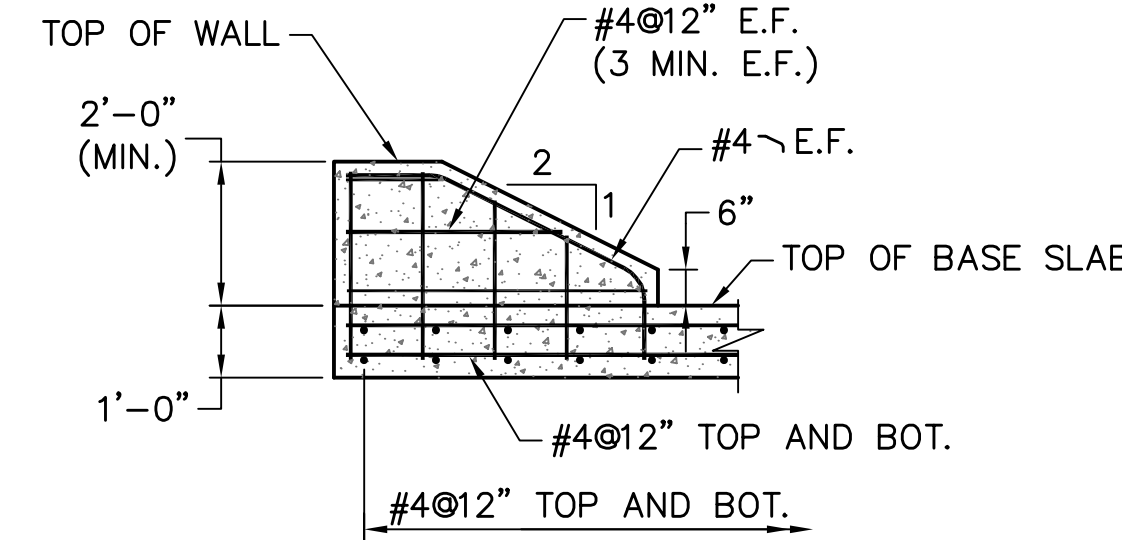
File Path: J:\DWG\2004\0174\H12\Detail\04174H12DET001.dwg, Layout: CI-513, Wed, May 30, 2007 - 4:19 PM, User: Donald
 CTB: FO_STANDARD
 LMAN: DETAILS
 MS VIEW: DRAINAGE-2
 LUGS:



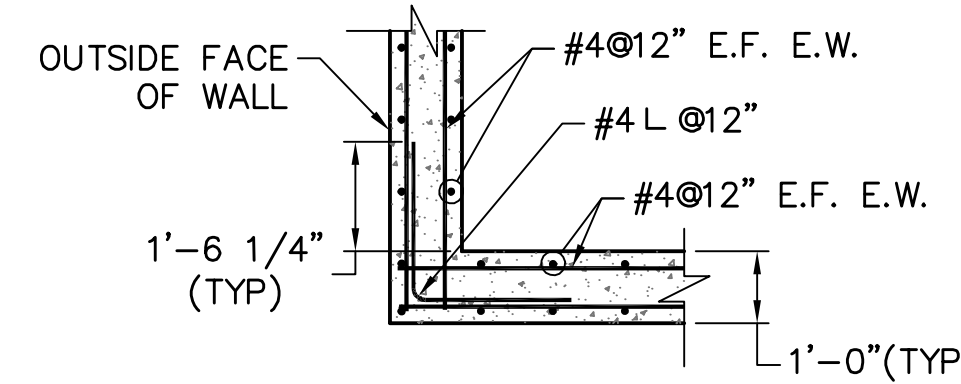
PLAN
SCALE: 3/8"=1'-0"



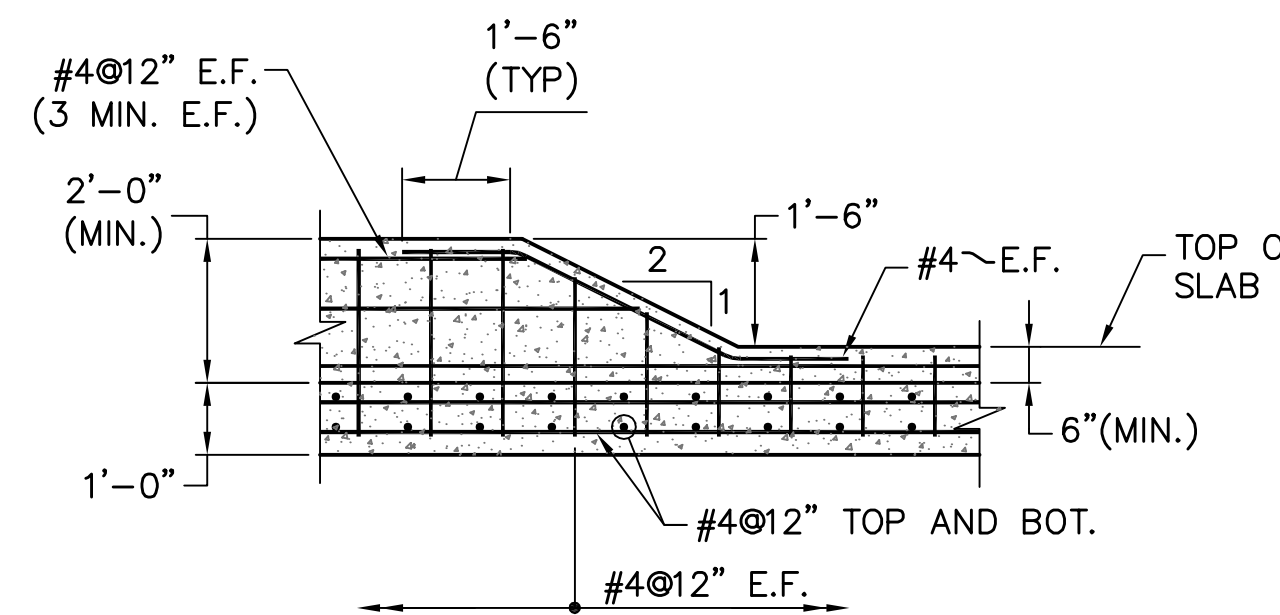
SECTION A
SCALE: 3/8"=1'-0"



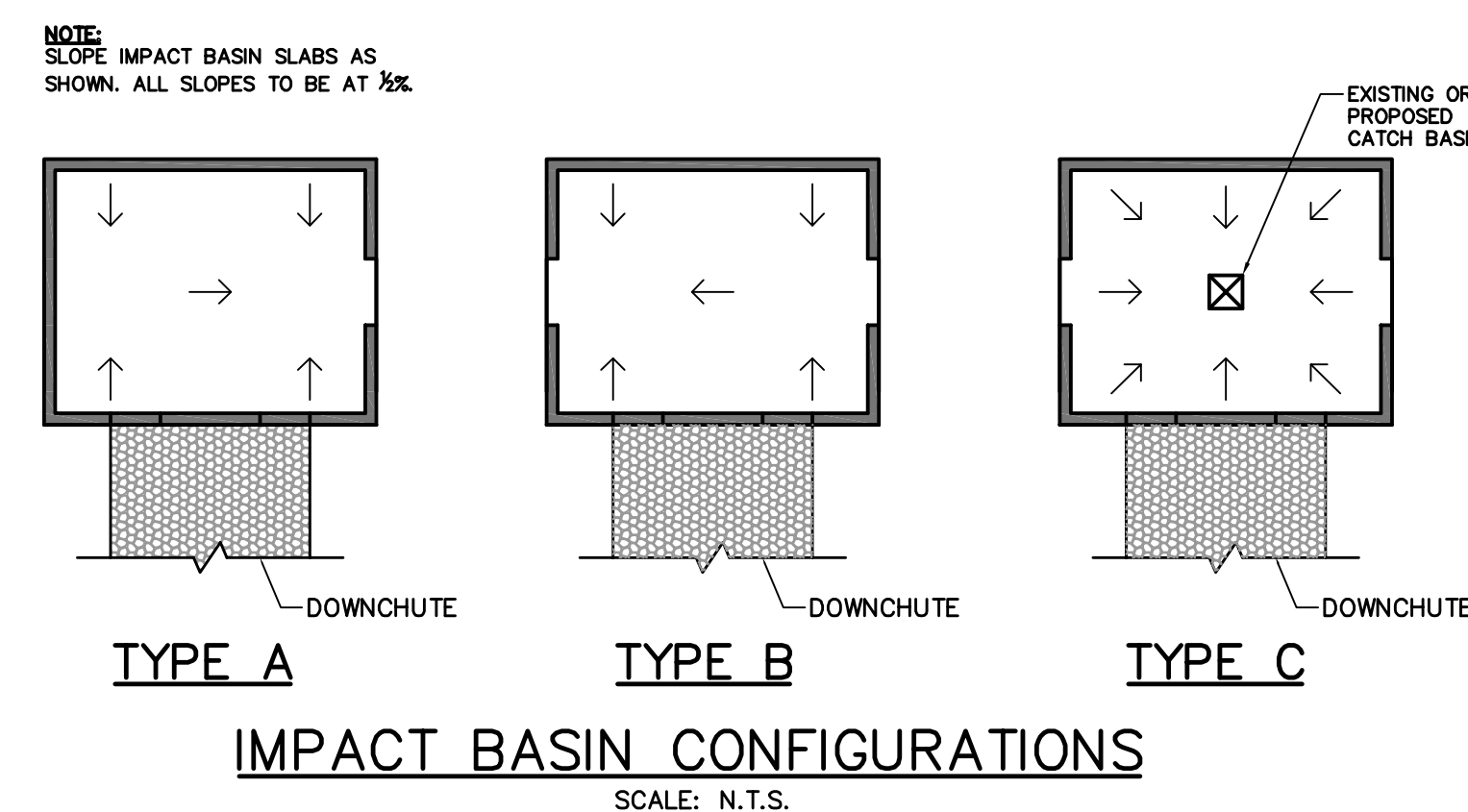
SECTION B
SCALE: 3/8"=1'-0"



CORNER REINFORCEMENT
SCALE: 3/8"=1'-0"



DOWNCHUTE INVERT REINFORCEMENT
SCALE: 3/8"=1'-0"



1 **IMPACT BASIN**
NOT TO SCALE

STRUCTURAL NOTES:

THE WORK SHOWN ON THESE DRAWINGS HAS BEEN DESIGNED IN ACCORDANCE WITH THE STRUCTURAL REQUIREMENTS OF THE STATE OF CONNECTICUT 2005 STATE BUILDING CODE, INCLUDING THE 2005 INTERNATIONAL BUILDING CODE EXCEPT AS AMENDED, ALTERED OR DELETED BY THE ADDITIONAL PROVISIONS IN THE CONNECTICUT STATE BUILDING CODE.

ALLOWABLE DESIGN STRESSES:

CONCRETE: $f'_c = 4,000$ PSI
REINFORCEMENT: ASTM A615 GRADE 60 ($f_y = 60,000$ PSI)

DIMENSIONS:

THE OVERALL DIMENSIONS OF THE IMPACT BASINS SHOWN ON THESE DETAILS SHALL BE VERIFIED IN THE FIELD BY THE CONTRACTOR FOR PROPER FIT AND FINISH OF THE PROPOSED WORK. REQUIRED ADJUSTMENTS IN ANY OVERALL DIMENSION FOR THE PROPER FIT AND FINISH OF THE PROPOSED WORK ARE THE RESPONSIBILITY OF THE CONTRACTOR. IN NO CASE SHALL THE WALL THICKNESS OR SLAB THICKNESS BE CHANGED.

EXPOSED EDGES:

EXPOSED EDGES OF CONCRETE SHALL BE BEVELED 1"x1" UNLESS DIMENSIONED OTHERWISE.

CONCRETE:

1. 4,000 PSI CONCRETE SHALL BE USED THROUGHOUT.

2. AIR ENTRAINMENT SHALL BE 5% ±1%

3. UNLESS OTHERWISE SHOWN ON THE PLANS, ALL REINFORCING SHALL BE LAPPED ACCORDING TO THE FOLLOWING CHART.

MINIMUM REINFORCING LAPS	
BAR SIZE	LAP
#4	18"

NOTE: THE LAPS LISTED ABOVE ARE FOR NON-CRITICAL SPLICES (AASHTO CLASS A SPLICE) WHERE BAR SPACING IS GREATER THAN SIX INCHES. ALL CRITICAL SPLICES SHALL BE AS SHOWN ON THE PLANS.

4. ALL REINFORCING BARS SHALL HAVE THE FOLLOWING MINIMUM COVER:
- COVER CONCRETE CAST AGAINST AND PERMANENTLY EXPOSED TO EARTH: 3"
- STIRRUPS, TIES AND SPIRALS: 1 1/2"
- ALL OTHER BARS 2"

5. CONSTRUCTION JOINTS OTHER THAN THOSE SHOWN ON PLANS WILL NOT BE PERMITTED WITHOUT A WRITTEN REQUEST BY THE CONTRACTOR AND PRIOR AUTHORIZATION BY THE ENGINEER.

6. ALL METAL TIES OR ANCHORAGES WHICH ARE REQUIRED FOR CONCRETE FORMWORK SHALL BE SO CONSTRUCTED THAT THEY CAN BE REMOVED TO AT LEAST TWO INCHES FROM THE EXPOSED SURFACE OF THE CONCRETE WITHOUT CAUSING DAMAGE TO THE CONCRETE SURFACE. SNAP TIES MAY BE USED ONLY IF APPROVED BY THE ENGINEER. IF A CONTRACTOR PROPOSES TO USE SNAP TIES, A CATALOG CUT AND OTHER NECESSARY INFORMATION MUST BE SUBMITTED TO THE ENGINEER TO DEMONSTRATE THAT THE TIES WILL SNAP-OFF FAR ENOUGH INTO THE CONCRETE TO ALLOW FOR PROPER PATCHING. SNAP TIES MUST PROVIDE ADEQUATE STRENGTH TO SUPPORT THE FORMS. ALL CAVITIES SHALL BE FILLED WITH AN APPROVED CEMENT MORTAR TO THE SATISFACTION OF THE ENGINEER.

REINFORCEMENT:

ALL REINFORCEMENT SHALL BE ASTM A615 GRADE 60

No.	DATE	DESCRIPTION	BY
1.			

PROJ. MANAGER:	CML
CHIEF DESIGNER:	PB
REVIEWED BY:	DATE

SEAL	SEAL
------	------

SEAL

SCALE:	HORIZ.: NTS
	VERT.:
DATUM:	HORIZ.:
	VERT.:

SCALE:	HORIZ.: NTS
	VERT.:
DATUM:	HORIZ.:
	VERT.:

WWW.FAND0.COM

FUSS & O'NEILL
Disciplines to Deliver

146 HARTFORD RD MANCHESTER, CT 06040 860.646.2469

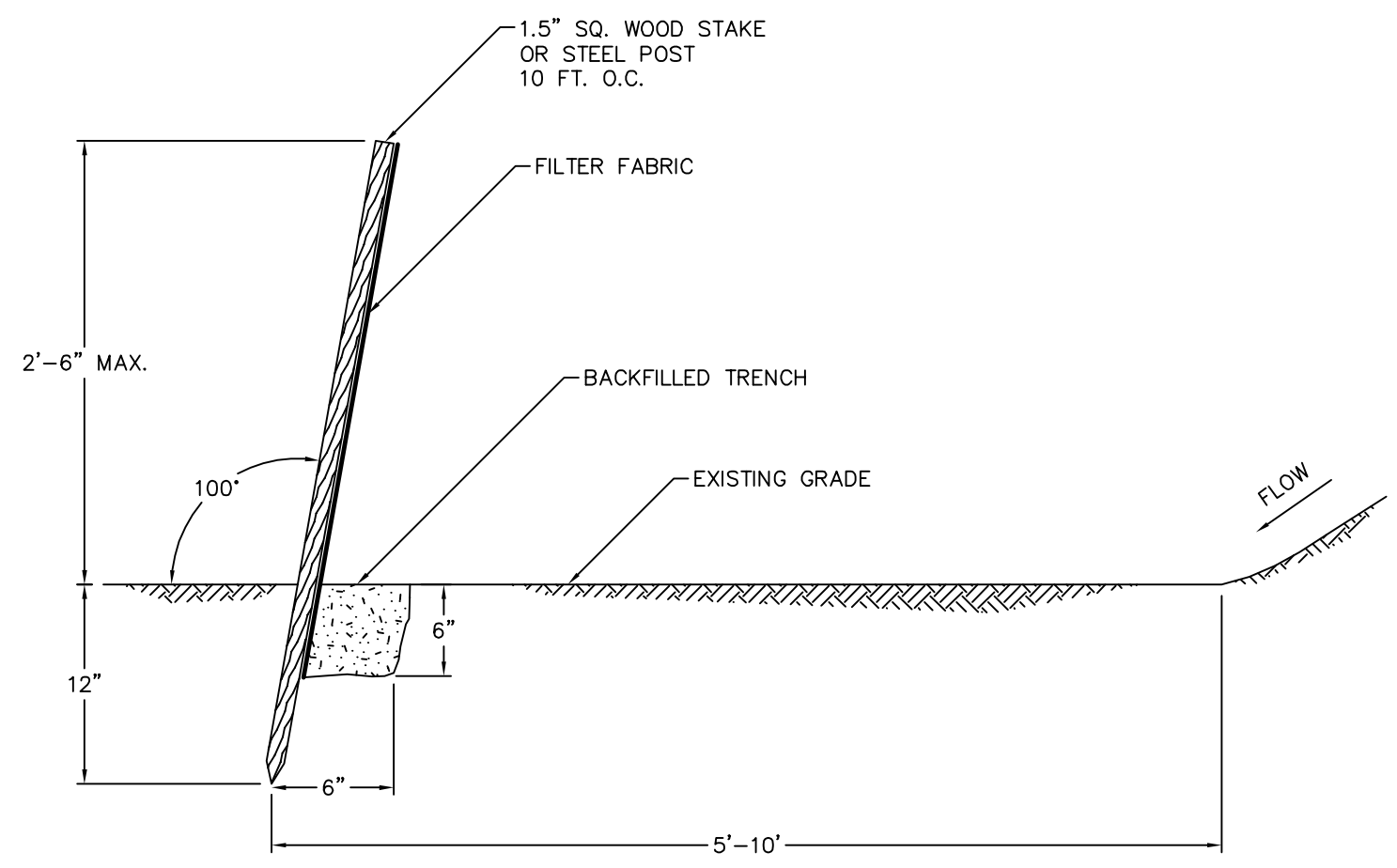
CONNECTICUT RESOURCES RECOVERY AUTHORITY

DRAINAGE DETAILS
HARTFORD LANDFILL CLOSURE
MSW/INTERIM ASH DISPOSAL AREA

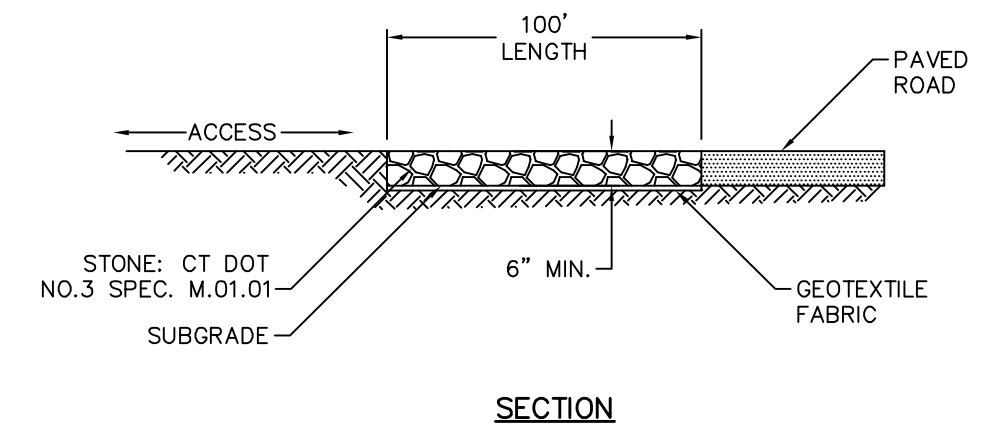
HARTFORD CONNECTICUT

PROJ. No.: 04-0174.H12
DATE: JUNE 2007

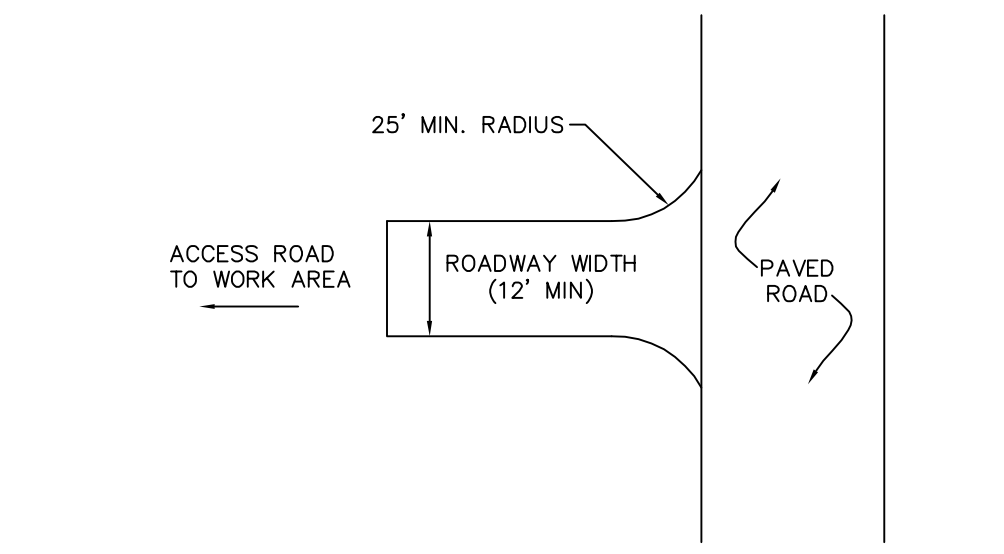
CI-513



1 SILT FENCE
NOT TO SCALE



SECTION

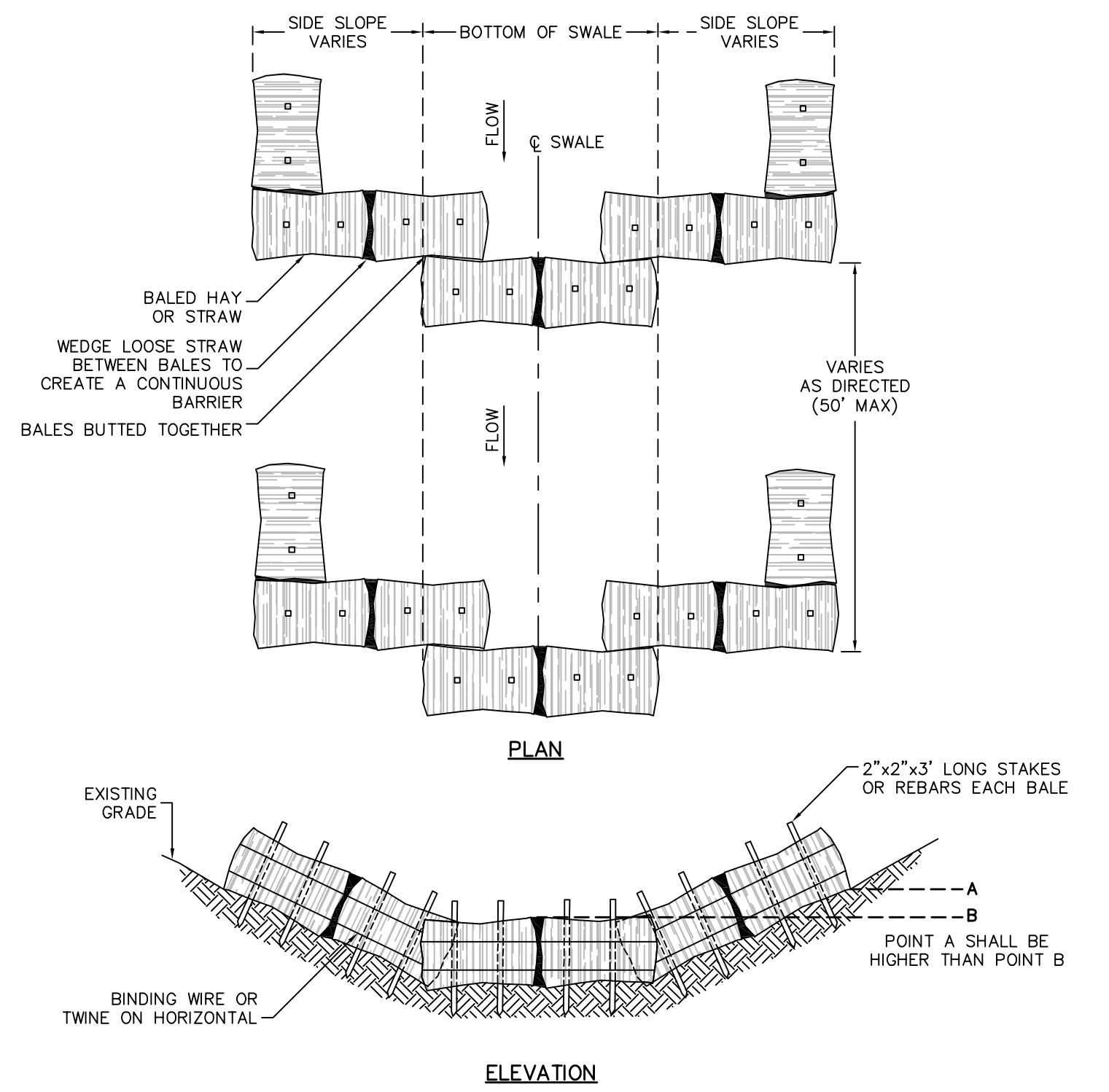


PLAN

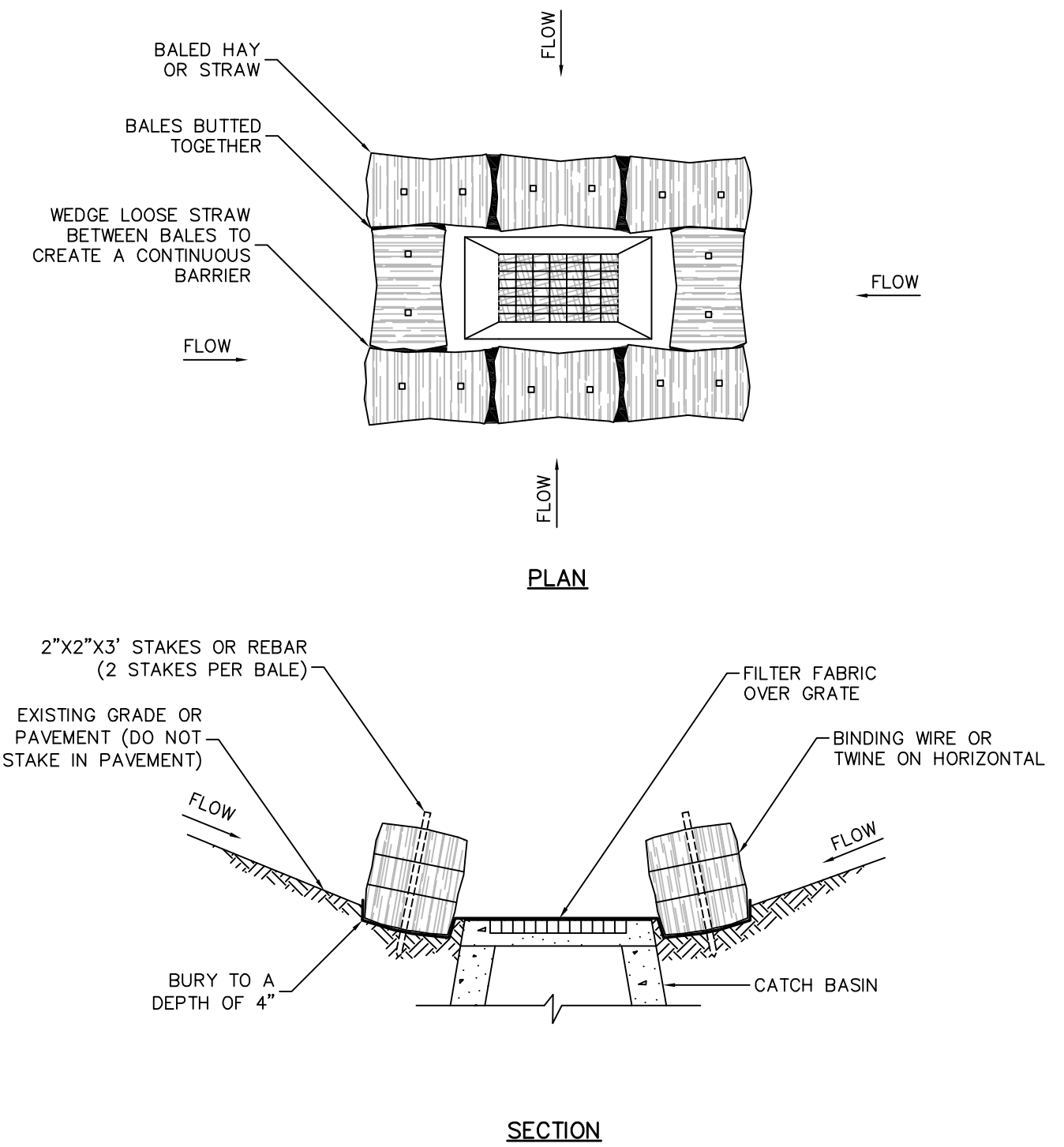
2 CONSTRUCTION ENTRANCE
NOT TO SCALE

EROSION & SEDIMENT CONTROL NOTES

- CONSTRUCTION STANDARDS** - CONSTRUCT ALL EROSION AND SEDIMENT CONTROL MEASURES IN ACCORDANCE WITH THE STANDARDS AND SPECIFICATIONS OF THE MOST RECENT EDITION OF THE "CONNECTICUT GUIDELINES FOR SOIL EROSION AND SEDIMENT CONTROL" (CT DEP BULLETIN 34). ALL MEASURES SHALL BE MAINTAINED AND UPGRADED TO ACHIEVE PROPER SEDIMENT CONTROL DURING CONSTRUCTION.
- PLAN IMPLEMENTATION** - IMPLEMENT THIS EROSION AND SEDIMENT CONTROL PLAN. THIS IMPLEMENTATION INCLUDES THE INSTALLATION AND MAINTENANCE OF CONTROL MEASURES UNTIL PERMANENT STABILIZATION IS ACHIEVED, INFORMING ALL SUBCONTRACTORS OF THE REQUIREMENTS AND OBJECTIVES OF THE PLAN, AND NOTIFYING THE PROPER MUNICIPAL AGENCY OF ANY TRANSFER OF THIS RESPONSIBILITY. THE OWNER SHALL BE RESPONSIBLE FOR CONVEYING A COPY OF THE EROSION AND SEDIMENT CONTROL PLAN TO THE NEW OWNER IF THE TITLE OF THE LAND IS TRANSFERRED PRIOR TO ACHIEVING PERMANENT STABILIZATION.
- INSTALLATION SCHEDULE** - INSTALL THE CONSTRUCTION ENTRANCE BEFORE CONSTRUCTION TRAFFIC INTO AND OUT OF THE PROJECT AREA BEGINS. INSTALL EROSION AND SEDIMENT CONTROL MEASURES PRIOR TO STUMP REMOVAL AND CONSTRUCTION. INSTALL ADDITIONAL CONTROL MEASURES DURING THE CONSTRUCTION PERIOD, IF DEEMED NECESSARY BY THE OWNER, HIS AGENTS OR AGENTS OF THE MUNICIPALITY.
- FUGITIVE DUST** - CONTROL FUGITIVE DUST USING WATER SPRAYS OR CALCIUM CHLORIDE ON SOIL SURFACES, SWEEPING PAVED AREAS, TEMPORARY WINDBREAKS OR NON-ASPHALTIC SOIL TACKIFIERS.
- HAY BALE LIFE SPAN** - INSTALL HAY BALES WHERE PROTECTION AND EFFECTIVENESS IS REQUIRED FOR LESS THAN 90 DAYS. OTHERWISE, INSTALL SILT FENCE.
- CATCH BASINS** - PROTECT CATCH BASINS WITH PROPER CONTROLS THROUGHOUT THE CONSTRUCTION PERIOD UNTIL ALL DISTURBED AREAS ARE PERMANENTLY STABILIZED.
- STOCKPILES** - ENCIRCLE STOCKPILES OF ERODIBLE SOIL WITH A HAY BALE OR SILT FENCE BARRIER. THE SIDE SLOPES OF ERODIBLE STOCKPILED MATERIAL SHALL BE NO STEEPER THAN 2:1. STOCKPILES THAT ARE NOT TO BE USED WITHIN 30 DAYS SHALL BE SEEDED AND MULCHED IMMEDIATELY AFTER THEY ARE FORMED.
- TOE OF SLOPE** - ESTABLISH AN EROSION CONTROL BARRIER (SILT FENCE OR HAY BALE BARRIER) APPROXIMATELY 5 TO 10 FEET FROM THE PROPOSED TOE OF THE CUT OR FILL AREA PRIOR TO BEGINNING EARTHWORK.
- SEDIMENT REMOVAL** - SEDIMENT REACHING 1/2 THE HEIGHT OF THE EROSION CONTROL BARRIER SHALL BE REMOVED. REMOVE AND DISPOSE OF SEDIMENT IN A MANNER CONSISTENT WITH THE INTENT OF THE PLAN.
- SOIL STABILIZATION SCHEDULE** - APPLY PERMANENT SOIL STABILIZATION MEASURES TO ALL GRADED AREAS WITHIN 7 DAYS OF ESTABLISHING FINAL GRADE. APPLY TEMPORARY SOIL STABILIZATION MEASURES IF FINAL GRADING IS TO BE DELAYED MORE THAN 30 DAYS.
- TEMPORARY SEEDING** - TEMPORARILY SEED ERODIBLE SOILS THAT WILL BE EXPOSED GREATER THAN 1 BUT LESS THAN 12 MONTHS WITHIN THE FIRST 7 DAYS OF SUSPENDING GRADING OPERATIONS. APPLY LIME AT A RATE OF 90 LBS/1000 SQ. FT. APPLY 10-10-10 FERTILIZER AT A RATE OF 7 1/2 LBS/1000 SQ. FT. APPLY PERENNIAL RYE GRASS AT A RATE OF 2 LBS/1000 SQ. FT. TO A DEPTH OF 1/2 INCH. OPTIMUM SEEDING DATES ARE MARCH 15 TO JULY 1 AND AUGUST 1 TO OCTOBER 15. MULCH FOR SEED APPLIED WITHIN THE OPTIMUM SEEDING DATES SHALL BE APPLIED EVENLY SUCH THAT IT PROVIDES 80%-95% SOIL COVERAGE. MULCH FOR SEED APPLIED OUTSIDE OF THE OPTIMUM SEEDING DATES SHALL BE APPLIED EVENLY SUCH THAT IT PROVIDES 95%-100% COVERAGE.
- PERMANENT SEEDING** - SEED PERMANENT LAWN AREAS IN ACCORDANCE WITH THE SPECIFICATIONS.
- SEEDED AREA PROTECTION** - PROTECT SEEDED AREAS IN ACCORDANCE WITH THE SPECIFICATIONS.
- INSPECTION** - THE OWNER SHALL SECURE THE SERVICES OF A SOIL SCIENTIST OR PROFESSIONAL ENGINEER TO VERIFY IN THE FIELD THAT THE CONTROLS REQUIRED BY THIS PLAN ARE PROPERLY INSTALLED AND MAINTAINED. THESE INSPECTIONS SHALL BE NOT LESS FREQUENTLY THAN WEEKLY AND WITHIN 24 HOURS OF THE END OF A STORM HAVING A RAINFALL AMOUNT OF 0.1 INCHES OR GREATER. FOLLOWING THESE INSPECTIONS, A WRITTEN REPORT SHALL BE PREPARED, INFORMING THE OWNER OR HIS AGENT NOT LESS FREQUENTLY THAN WEEKLY AND THE MUNICIPALITY NOT LESS FREQUENTLY THAN MONTHLY OF OBSERVATIONS, MAINTENANCE, AND CORRECTIVE ACTIVITIES UNDERTAKEN.



3 HAY BALE CHECK DAM
NOT TO SCALE



4 LOW POINT HAY BALE BARRIER
NOT TO SCALE

1.	No.	DATE	DESCRIPTION	BY
REVISIONS				

PROJ. MANAGER:	CML
CHIEF DESIGNER:	DRL
REVIEWED BY:	DATE

SEAL	SEAL
------	------

SCALE:	HORIZ.: NTS
	VERT.:
DATUM:	HORIZ.:
	VERT.:

WWW.FandO.COM

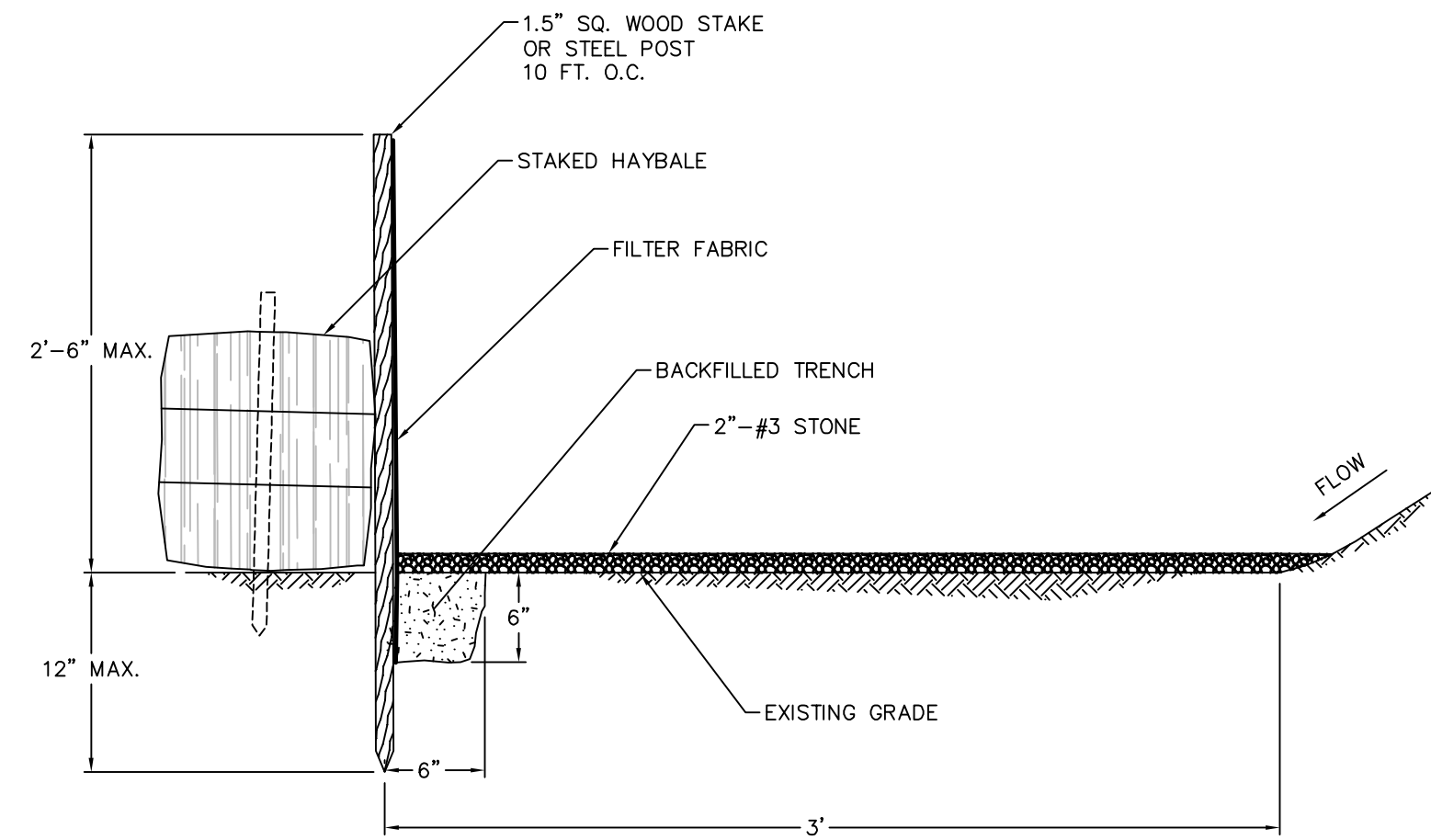
146 HARTFORD RD MANCHESTER, CT 06040 860.646.2469

CONNECTICUT RESOURCES RECOVERY AUTHORITY

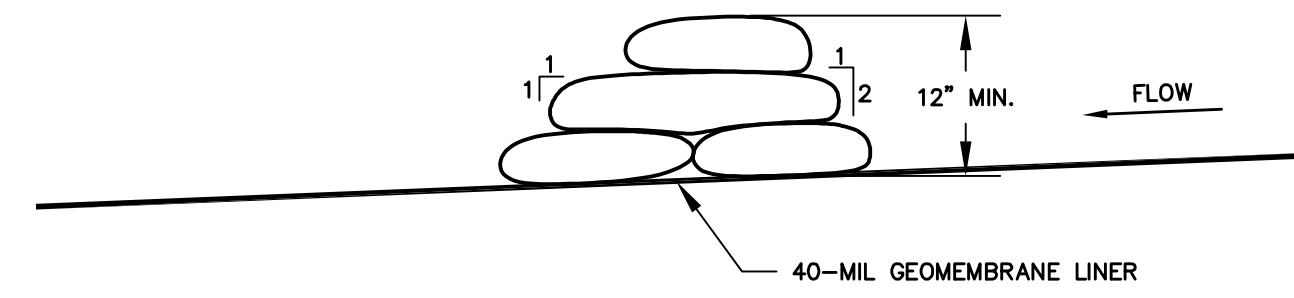
EROSION CONTROL DETAILS
HARTFORD LANDFILL CLOSURE
MSW/INTERIM ASH DISPOSAL AREA
HARTFORD CONNECTICUT

PROJ. No.: 04-0174.H12
DATE: JUNE 2007

CE-501

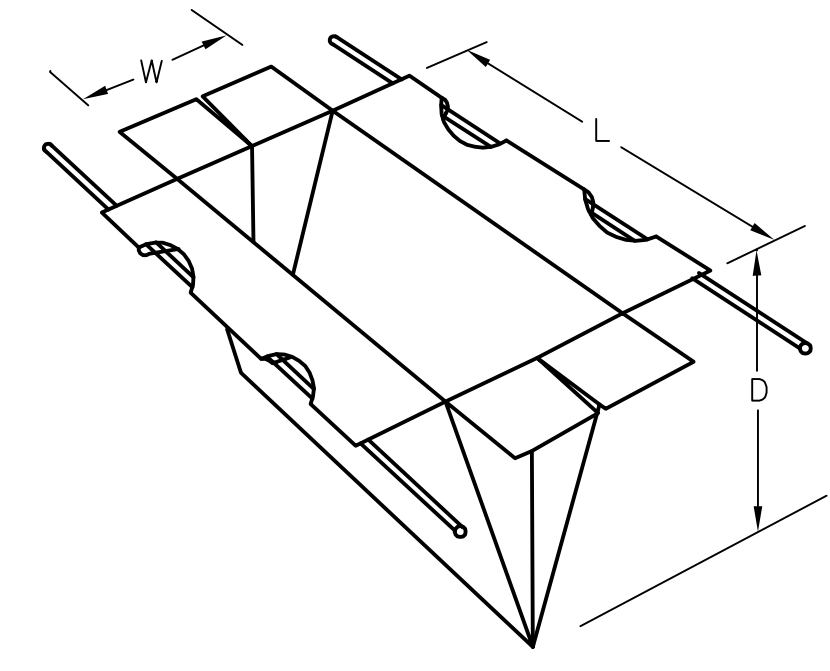


1 TEMPORARY SILT FENCE DIVERSION
NOT TO SCALE



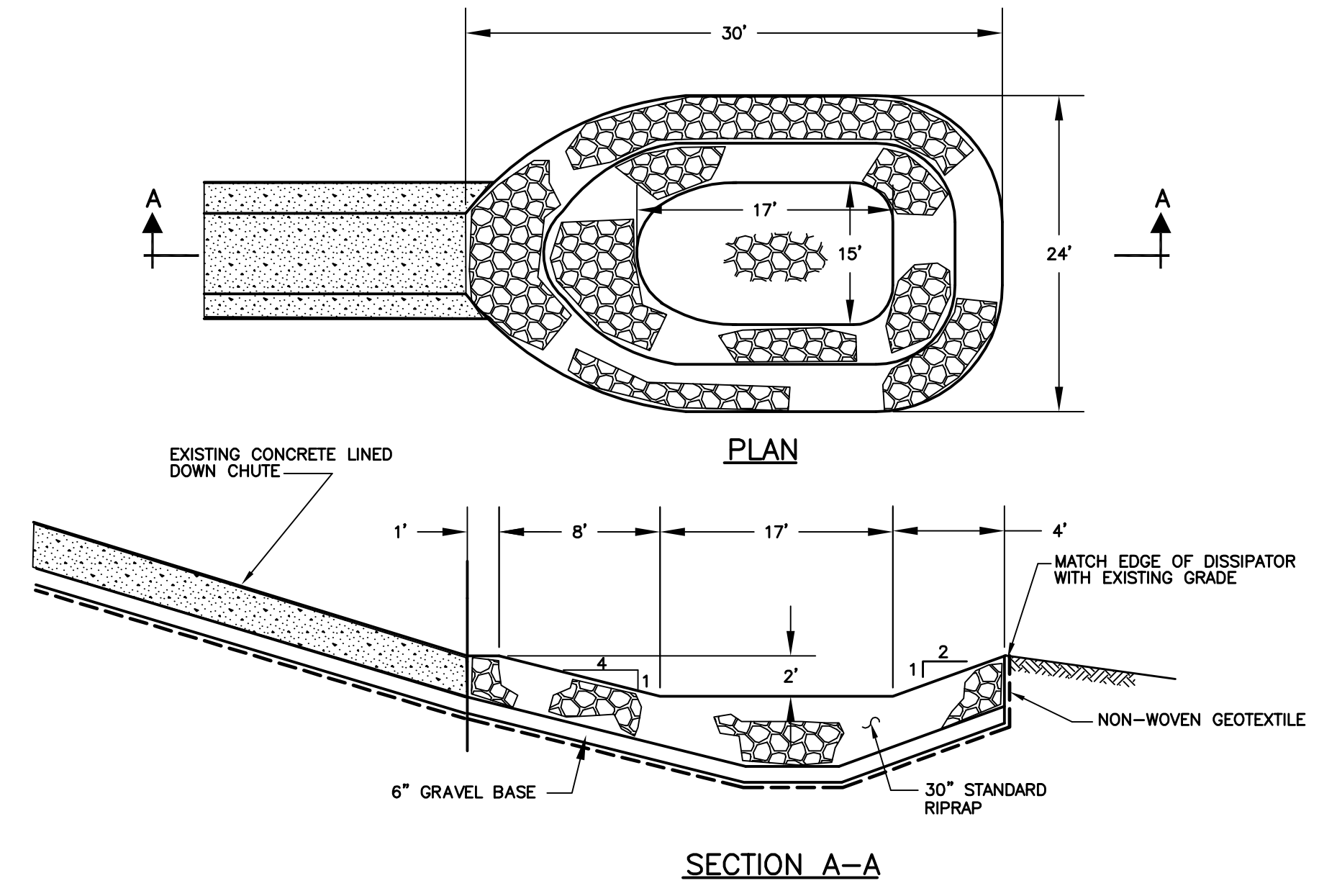
- NOTES:
1. INSTALL MINIMUM OF 3 COURSES OR AS NEEDED TO ACHIEVE 12" MINIMUM DEPTH.
 2. PLACE FIRST COURSE PARALLEL TO LINE OF DIVERSION. ALTERNATE SUBSEQUENT COURSES.
 3. TAMP BAGS INTO PLACE TO ELIMINATE VOIDS AND TO FORM A TIGHT SEAL.

2 TEMPORARY SAND BAG DIVERSION
NOT TO SCALE

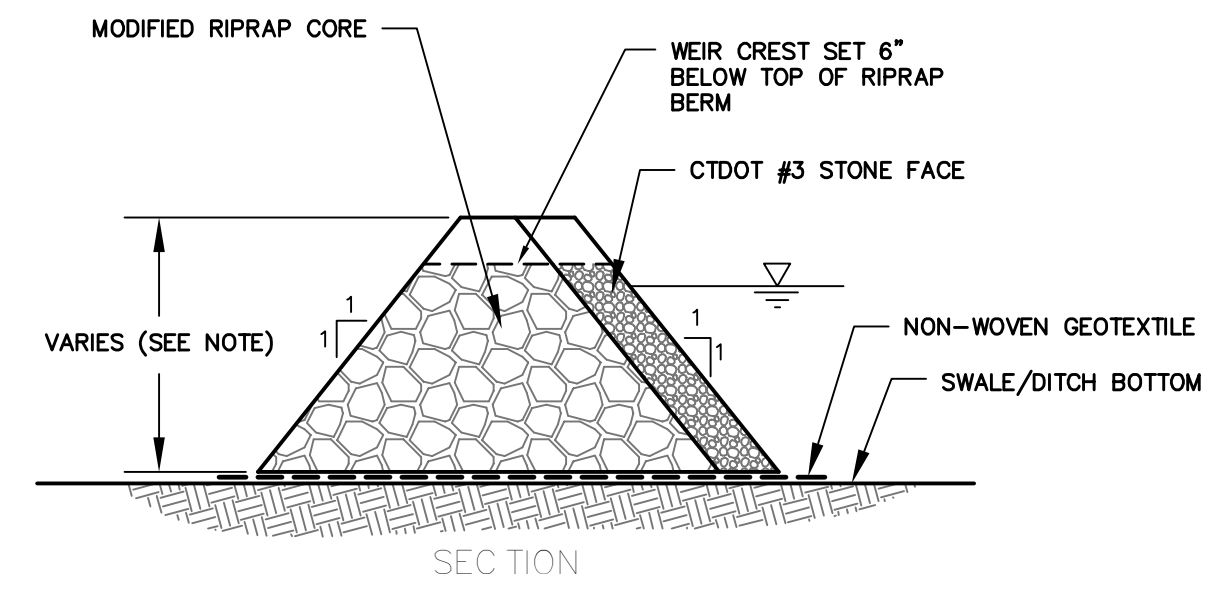


- NOTES:
1. SIZED TO FIT ANY SIZE OR SHAPE CATCH BASIN.
 2. ALL SEAMS DOUBLE STITCHED.
 3. PERMEABILITY: REGULAR FLOW SILTSACK: 40 GAL./MIN./SQ. FT.

3 CATCH BASIN INSERT
NOT TO SCALE

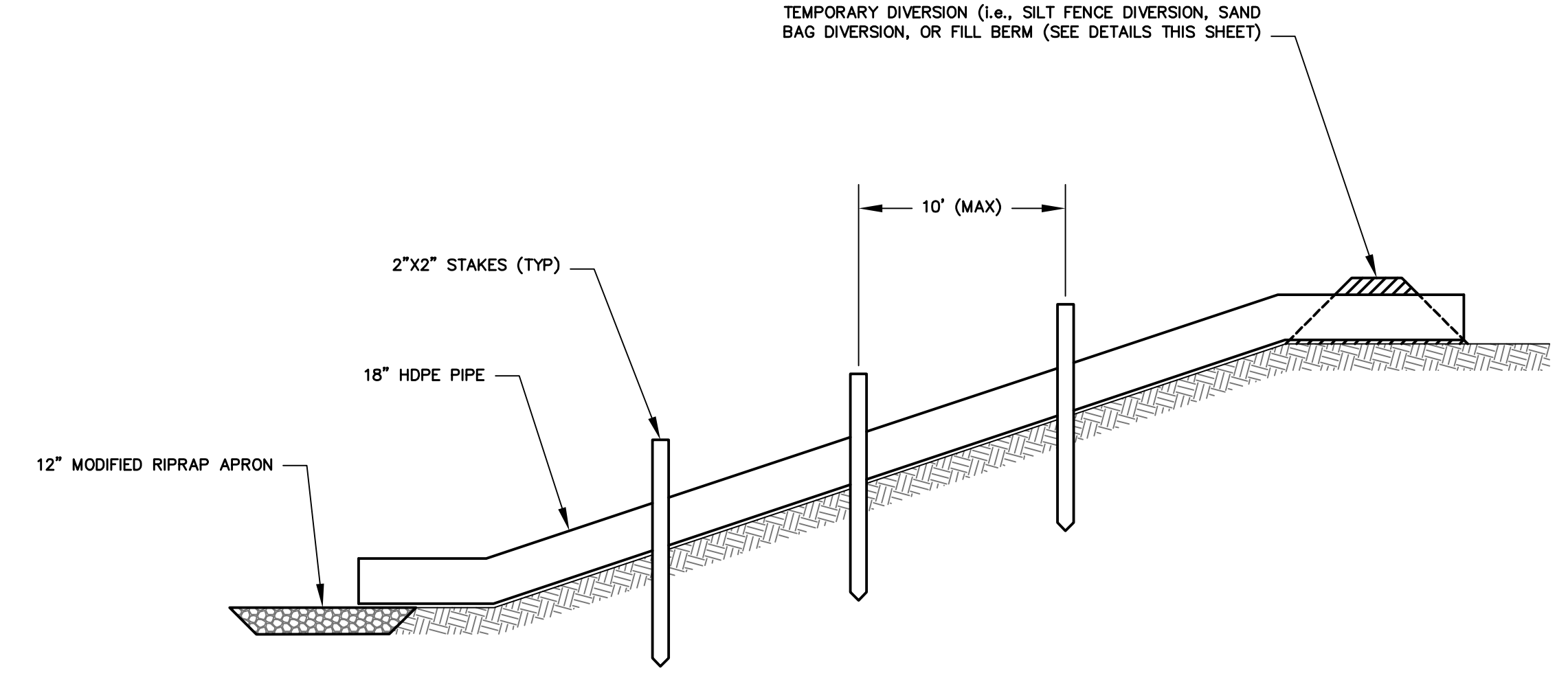


4 ENERGY DISSIPATOR
NOT TO SCALE



- NOTE:
1. HEIGHT OF RIPRAP BERM SHALL MATCH EXISTING GRADES OUTSIDE OF THE DRAINAGE DITCHES, BUT SHALL NOT EXCEED 3'.
 2. SPACING OF TEMPORARY SEDIMENT TRAPS IN DRAINAGE WAYS SHALL BE 200' O.C. OR AS REQUIRED BY THE 2002 CONNECTICUT E&S GUIDELINES (WHICHEVER IS LESS).

5 TEMPORARY SEDIMENTATION TRAP
NOT TO SCALE



6 TEMPORARY PIPE SLOPE DRAIN
NOT TO SCALE

No.	DATE	DESCRIPTION	BY
1.			
REVISIONS			

PROJ. MANAGER:	CML	SEAL
CHIEF DESIGNER:	DRL	SEAL
REVIEWED BY:	DATE	

SCALE:	HORIZ.: NTS
	VERT.:
DATUM:	HORIZ.:
	VERT.:

146 HARTFORD RD	MANCHESTER, CT 06040	860.646.2469
-----------------	----------------------	--------------

WWW.FAND0.COM

FUSS & O'NEILL
Disciplines to Deliver

CONNECTICUT RESOURCES RECOVERY AUTHORITY

EROSION CONTROL DETAILS

HARTFORD LANDFILL CLOSURE
MSW/INTERIM ASH DISPOSAL AREA

HARTFORD CONNECTICUT

PROJ. No.: 04-0174.H12
DATE: JUNE 2007

CE-502