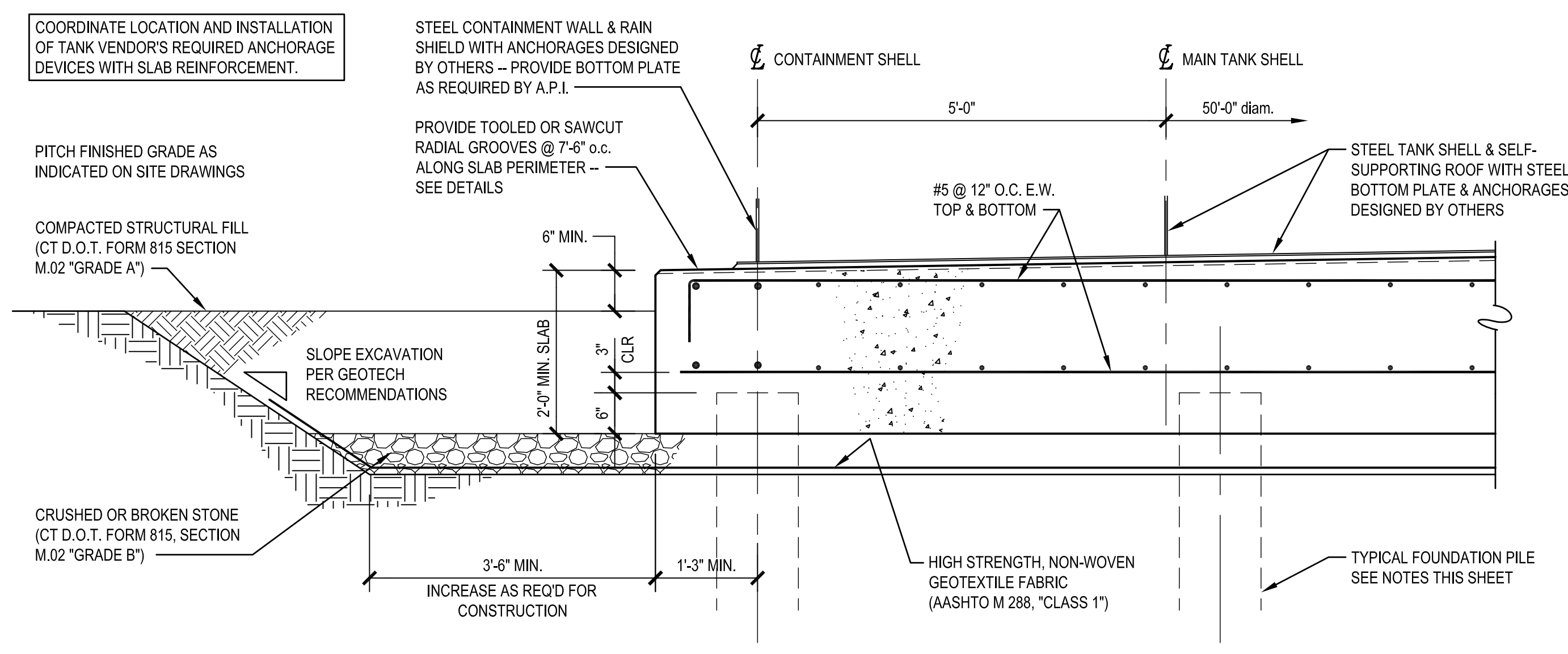
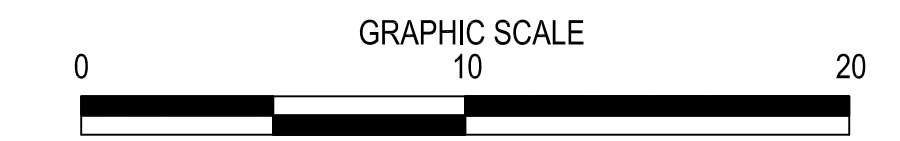


2
S-2
TYPICAL TOOLED OR SAWCUT SLAB GROOVE
NOT TO SCALE



3
S-2
SECTION THRU PILE-SUPPORTED SLAB
3/4" = 1'-0"
GRAPHIC SCALE
0 1 2 4

1
S-2
PILE SLAB PLAN
1" = 5'



- PILE NOTES:**
1. ALL PILES SHALL HAVE A MINIMUM COMPRESSIVE LOAD CAPACITY OF 55 TONS.
 2. ALL PILES SHALL HAVE A MINIMUM LATERAL LOAD CAPACITY OF 4.5 TONS.
 3. IT IS ANTICIPATED THAT PROJECT PILES, PENDING TEST RESULTS, WILL BE 12" DIAMETER CE PIPE PILES WITH A 1/2" WALL THICKNESS, DRIVEN TO A DEPTH OF 80' BELOW GRADE.
 4. TWO PERMANENT PILE LOCATIONS SHOWN SHALL BE USED AS INDICATOR PILES. INDICATOR PILES SHALL BE 12" DIAMETER CE PIPE PILES WITH A 1/2" WALL THICKNESS AT AN ORDER LENGTH OF 90'. THEY SHALL BE DRIVEN TO A MAXIMUM DEPTH OF 80' BELOW GRADE.
 5. AT BOTH INDICATOR PILES A PILE DYNAMIC ANALYSIS (PDA) AND A WAVE EQUATION ANALYSIS SHALL BE PERFORMED IN STRICT ACCORDANCE WITH "GEOTECHNICAL ADDENDUM - DRIVEN PILE EVALUATION" BY TRC ENVIRONMENTAL CORPORATION DATED JULY 14, 2010.
 6. SEE PROJECT SPECIFICATIONS FOR ADDITIONAL INFORMATION.

FILENAME: C:\Projects\DD Projects\51812 CRRA Tank @Drawings\S-02B.dwg

DESIGNER: W. JACQUES		DeCarlo & Doll, Inc. Architects, Engineers and Land Surveyors 89 Coloney Street Meriden, Connecticut 06451 (203) 379-0467 (203) 379-0278 fax	TRC Engineers, Inc. 21 Griffin Road North Windsor, Connecticut 06095 (860) 298-6231 (860) 298-6399 fax		PROJECT TITLE: CRRA SOUTH MEADOWS GENERATING STATION JET FUEL STORAGE TANK No. 6 REPLACEMENT	CITY: HARTFORD	PROJECT NO.: 51812
DRAFTER: W. JACQUES			CHECKED BY: T.O.D.		CADD FILE: S-02B.DWG	PLOTTED DATE: 15 JUL 10	DRAWING TITLE: PILE FOUNDATION ALTERNATE
REV.	DATE	DESCRIPTION	SHEET NO.	DATE CHECKED: 07/15/10			SHEET NO.: ---