

SIEMENS-ALLIS INC.

ELECTRICAL MOTOR DATA

CUSTOMER: WILLIAMS PATENT CRUSHER-PULV.

CUSTOMER'S ORDER NO.: 178985

SERIAL NO.: EL 1-5110-51096-02 / EL 1-5110-51096-03

TYPE: FODS

HORSEPOWER: 1000

VOLTS: 4160

PHASE: 3

HERTZ: 60

FRAME: 3740

SYNC. RPM: 900

FL RPM: 870

EFFICIENCY: 1/2: 92.2
3/4: 92.5
FL: 92.0

POWER FACTOR: 1/2: 75.2
3/4: 82.8
FL: 85.6

F.L. AMPS: 131.

L.R. AMPS: 852. NEMA DESIGN: KVA Code G

FULL LOAD TORQUE - LB. FT. : 6039.

STARTING TORQUE - LB. FT. : 200%

PULLOUT TORQUE - LB. FT. : 250%

INSULATION: VACUUM PRESSURE IMPREGNATION

SERVICE FACTOR: 1.15

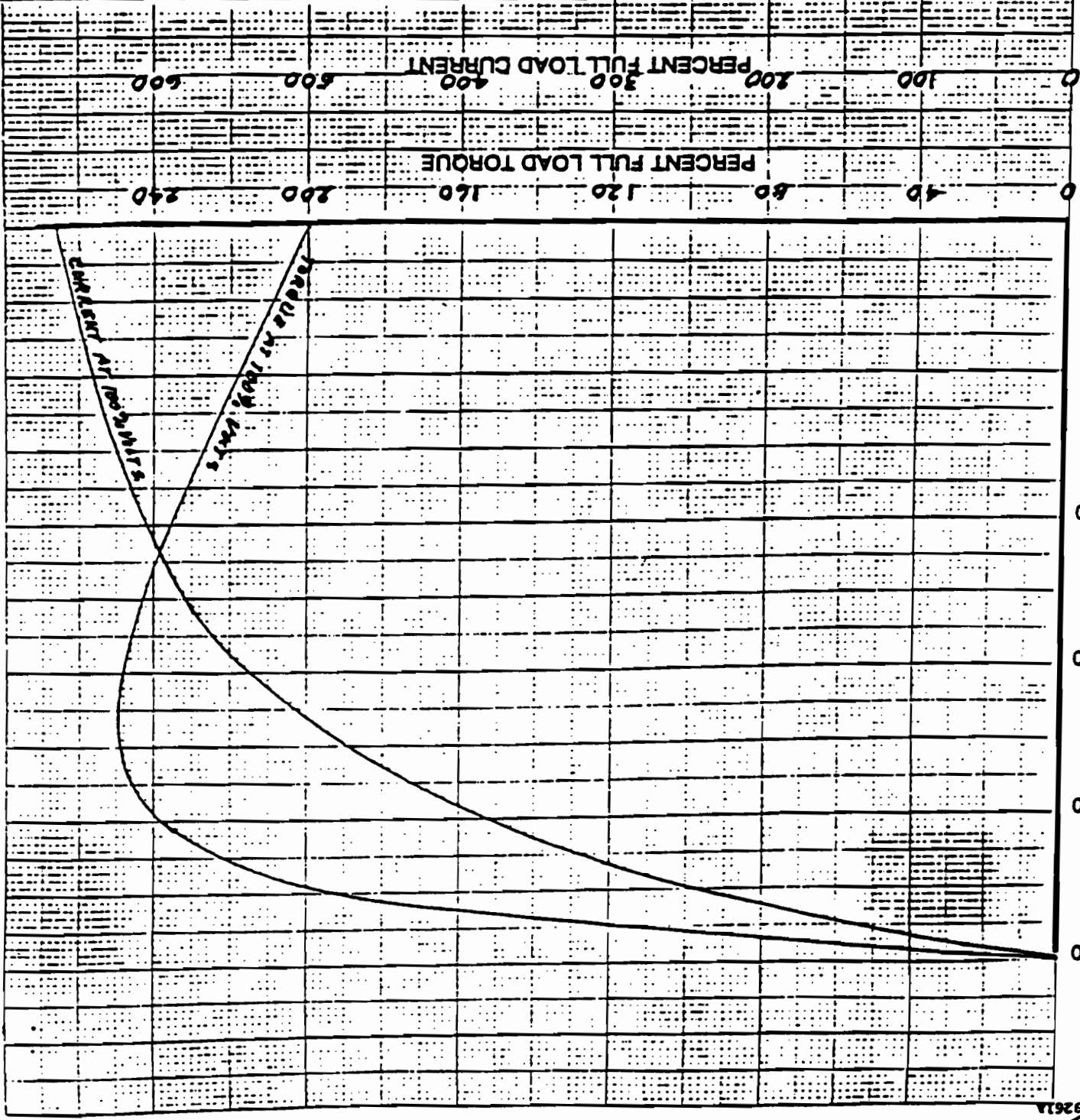
AMBIENT TEMP. : 40°C

Siemens Energy & Automation, Inc.
 Industrial Motor Division

INDUCTION MOTOR
 SPEED VS TORQUE & CURRENT CURVE

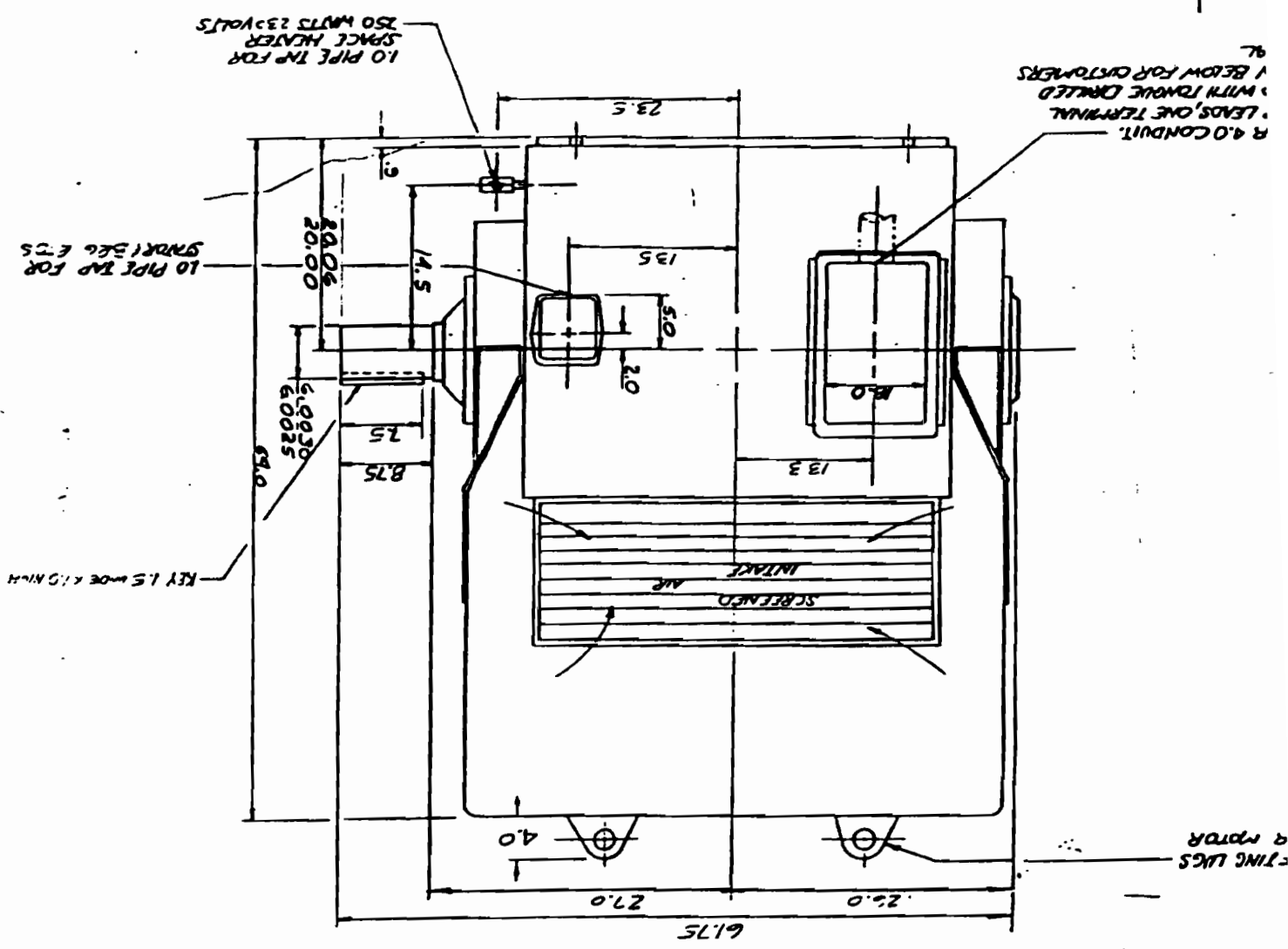
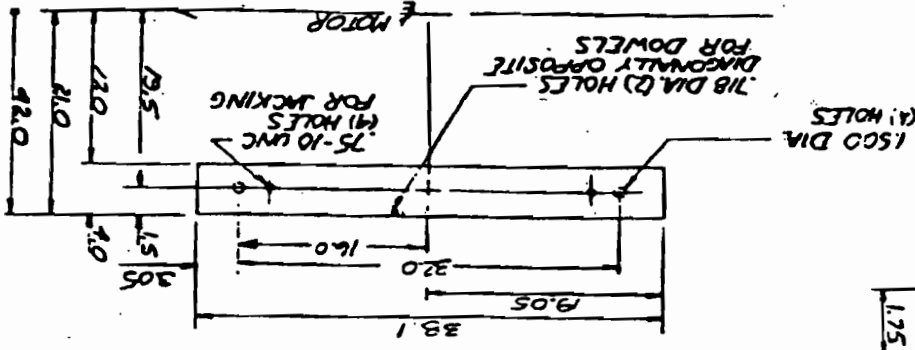
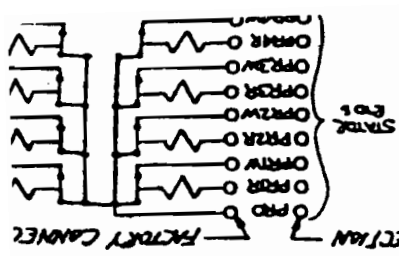
HP 1000
 RPM 865
 VOLTS 4160
 PH3
 AMPS 151
 4.0

GRH



1-10-17

19261A



MOTOR GOOD FOR EITHER DIRECTION OF ROTATION.
 USE A GOOD GRADE OF ANTI-FRICTION BEARINGS, EXTREME PRESSURE (EP) TYPE GREASE OF A
 LITHIUM-LEAD BASE, SMOOTH TEXTURED AND INCORPORATING CORROSION INHIBITORS. THE
 CONSISTENCY SHOULD BE NLG, #2. RELUBE CYCLE CLEAN CONDITIONS - 1500 HRS. OPERATING
 DIRTY CONDITIONS - 350 HRS. OPERATING
 CONDUIT BOX MAY BE ROTATED IN 90° INCREMENTS.
 ALLOW 20.0 INCHES ABOVE MOTOR FOR DISMANTLING.
 OUTBOARD END BEARING IS SECURED FROM AXIAL MOVEMENT. BOTH BEGS ARE INSULATED. INSULATE
 ALL CONNECTIONS TO THESE BEARINGS.
 MAX. DIA. LATHE CENTER - 1.0 INCHES.
 APPROX. MOTOR WEIGHT - 11, 100#
 FILTERS ACCESSIBLE THROUGH AIR INTAKE.

21.0

55-937-22-B.401

SIEMENS-ALLIS
 CORPORATION - PROPERTY OF
 1.5.10-5.096-02

OUTLINE

SIEMENS-ALLIS
 CORPORATION - PROPERTY OF
 1.5.10-5.096-02

REVISIONS

NO.	DATE	DESCRIPTION
1		
2		
3		
4		
5		

APPROVED BY: [Signature]

DATE: [Date]

PROJECT: [Project Name]

SCALE: [Scale]

WORKING DRAWING NO. [Number]

DATE OF ISSUE [Date]

ISSUED BY [Name]

REVISIONS

NO.	DATE	DESCRIPTION
1		
2		
3		
4		
5		

STANDARD PATENT OFFICE

THE BASIS OF THIS DRAWING

PRODUCTION WILL PROCEED ON

CERTIFIED PRINT

DATE: 11-10-51

NO.	DATE	DESCRIPTION
1		
2		
3		
4		
5		

